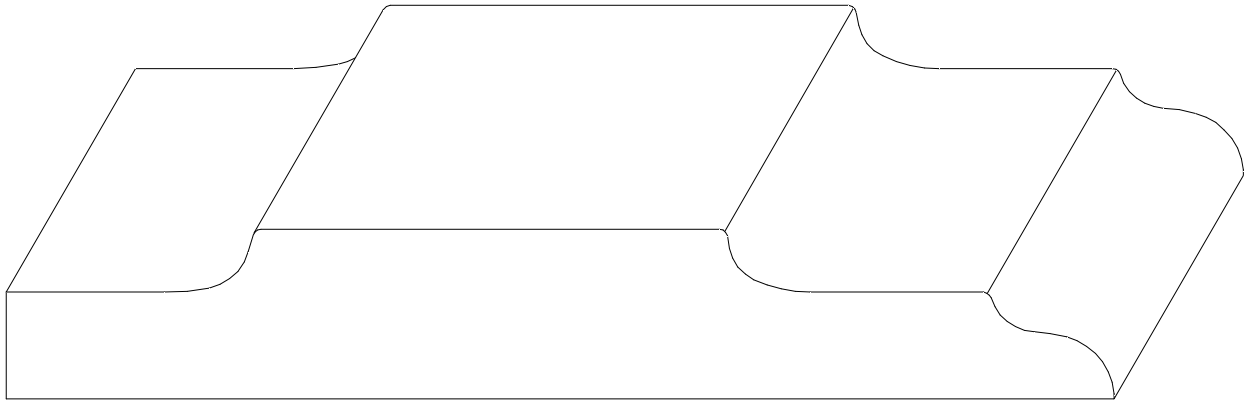
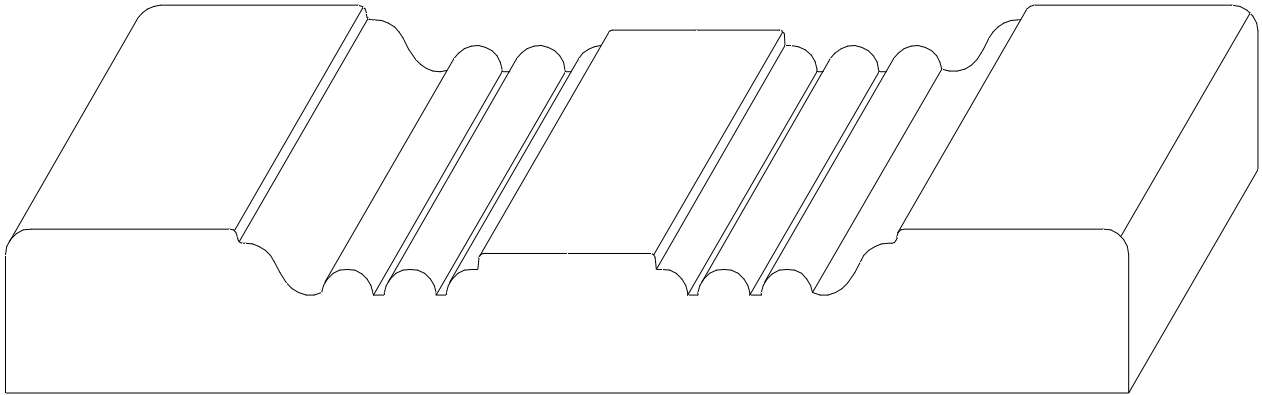


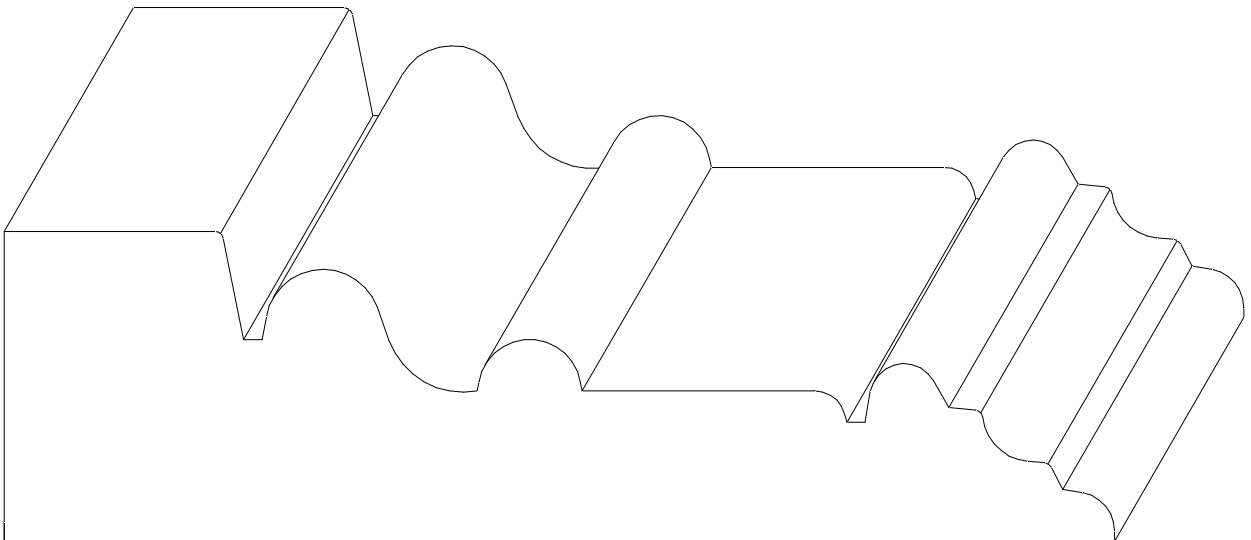
**CASING 5 5/16" TO 5 7/16"**



**W-1675**  
**13/16" x 5 3/8"**



**W-2121**  
**3/4" x 5 7/16"**



**W-2214**  
**1-1/2" x 5 3/8"**