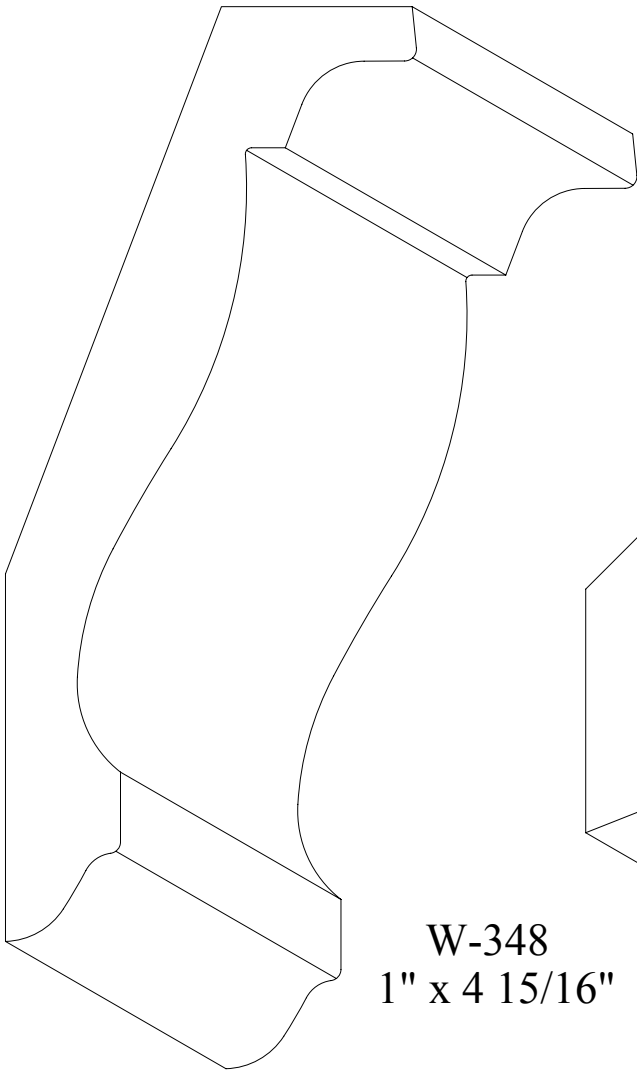
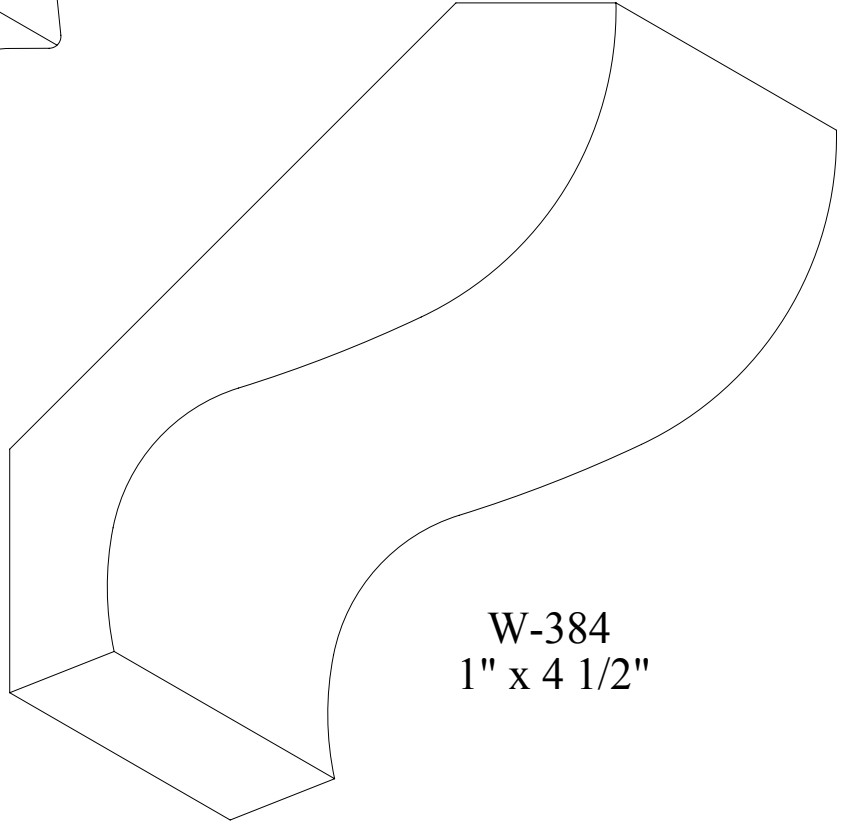


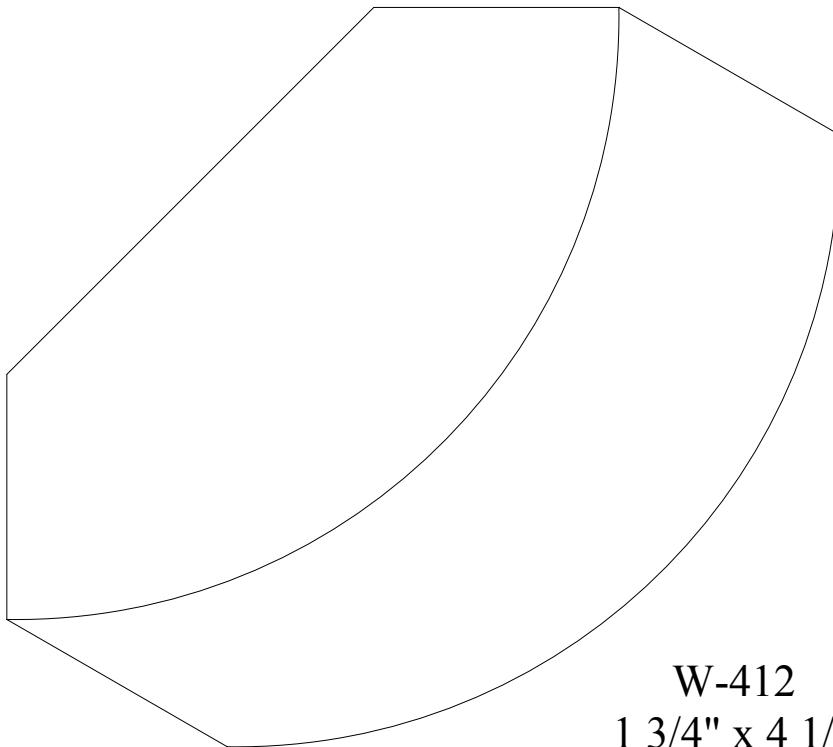
CROWN 4" TO 4 15/16"



W-348  
1" x 4 15/16"

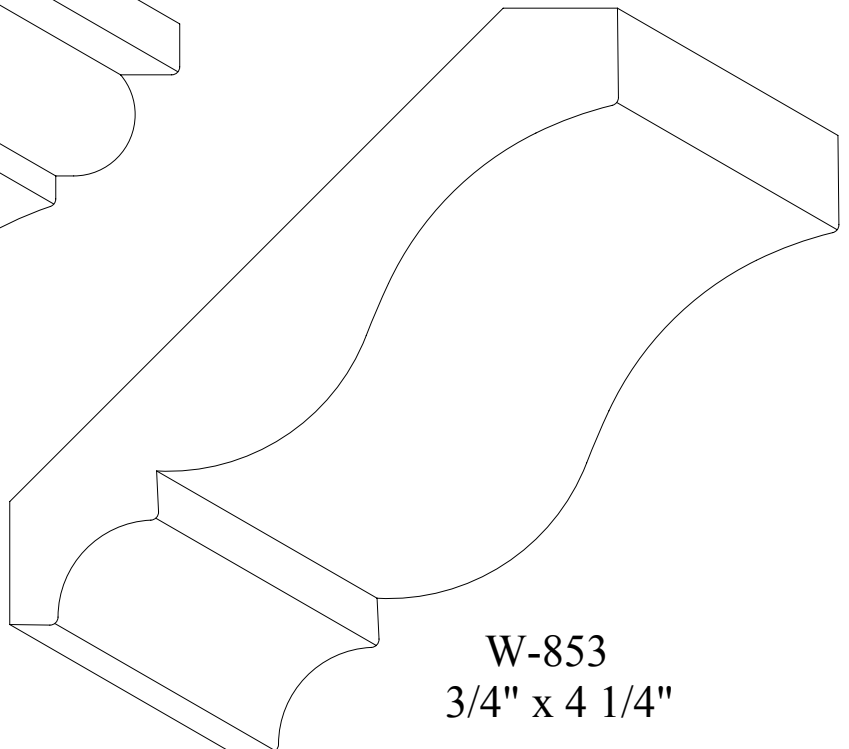
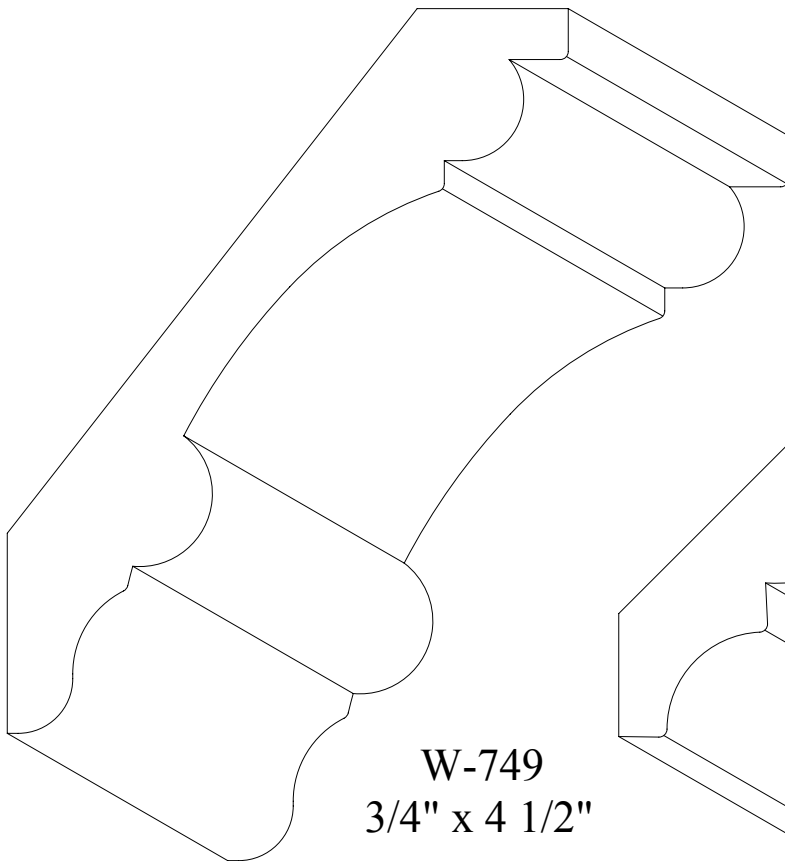
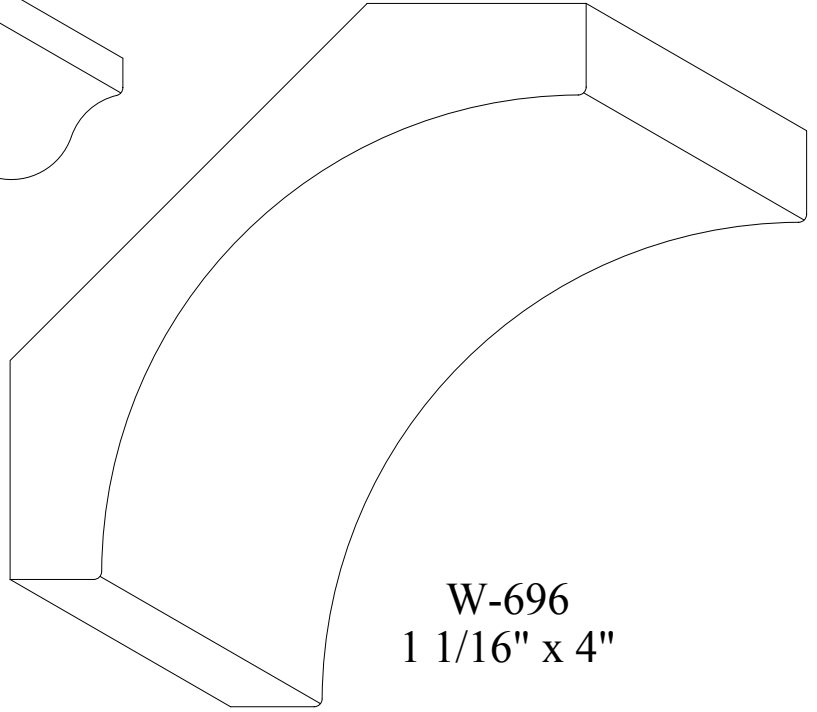
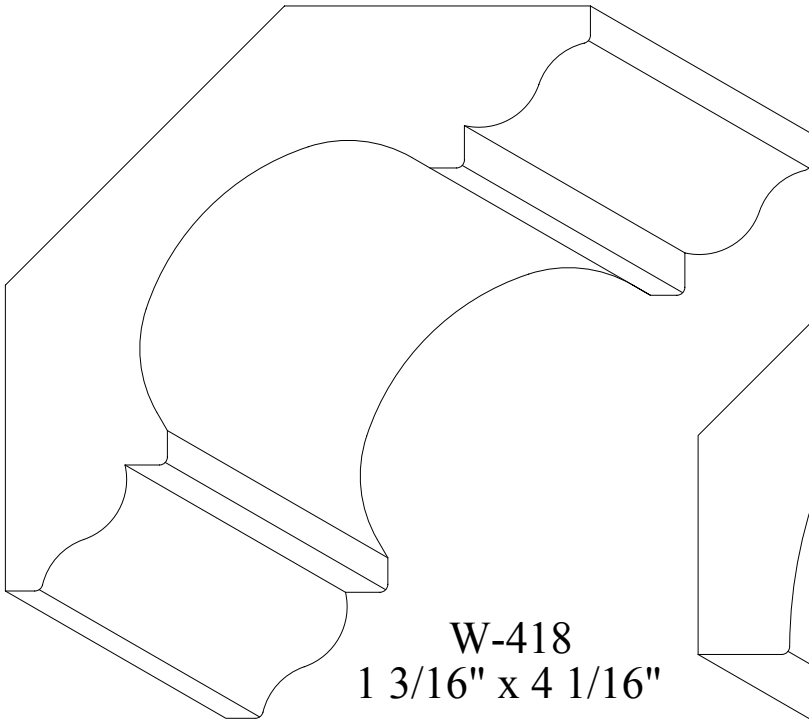


W-384  
1" x 4 1/2"

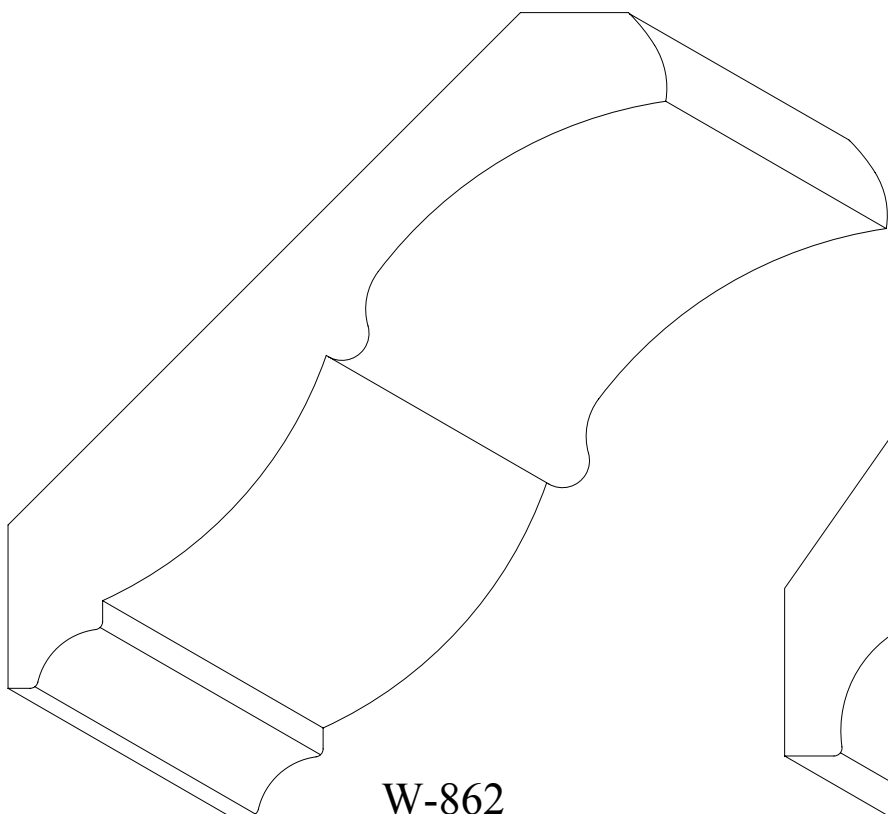


W-412  
1 3/4" x 4 1/4"

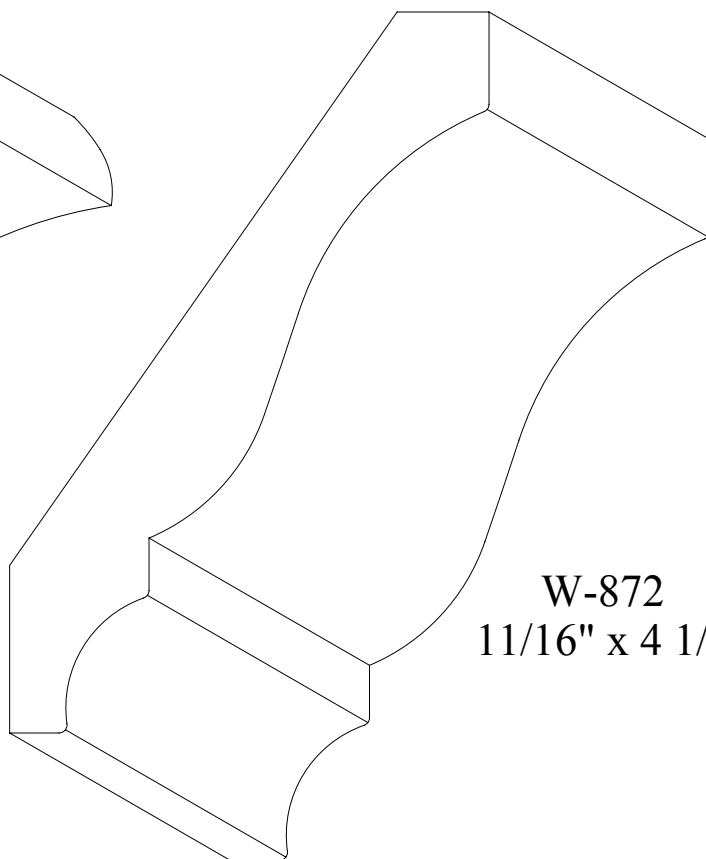
CROWN 4" TO 4 15/16"



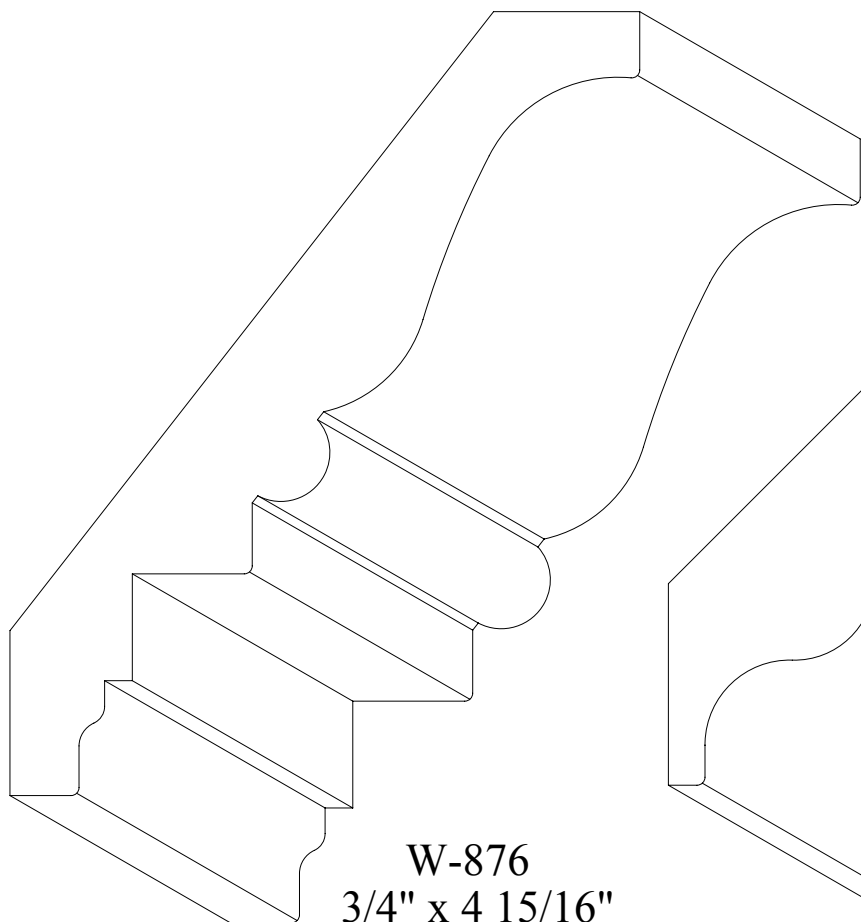
CROWN 4" TO 4 15/16"



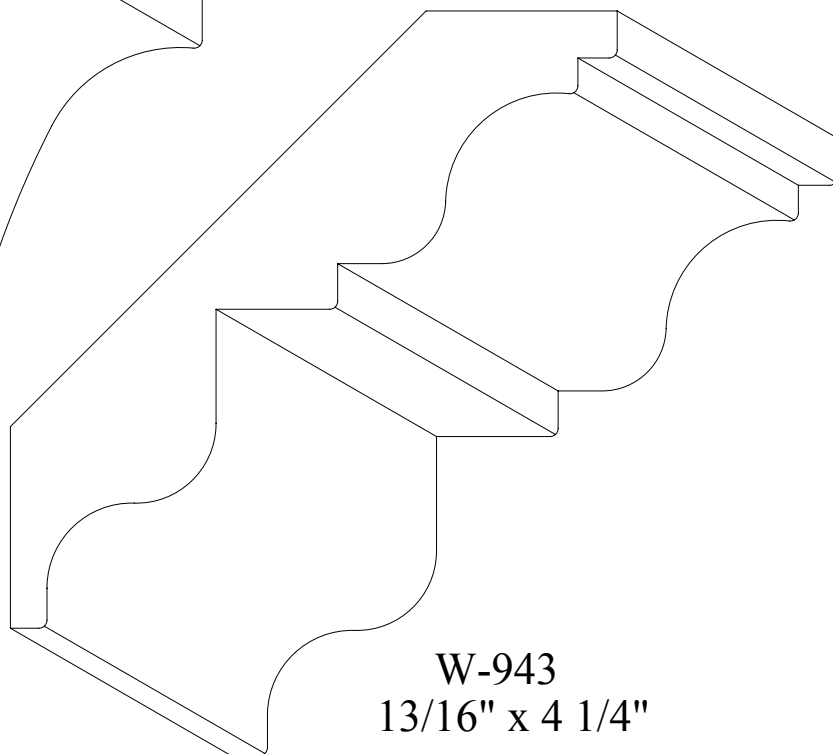
W-862  
13/16" x 4 1/2"



W-872  
11/16" x 4 1/4"

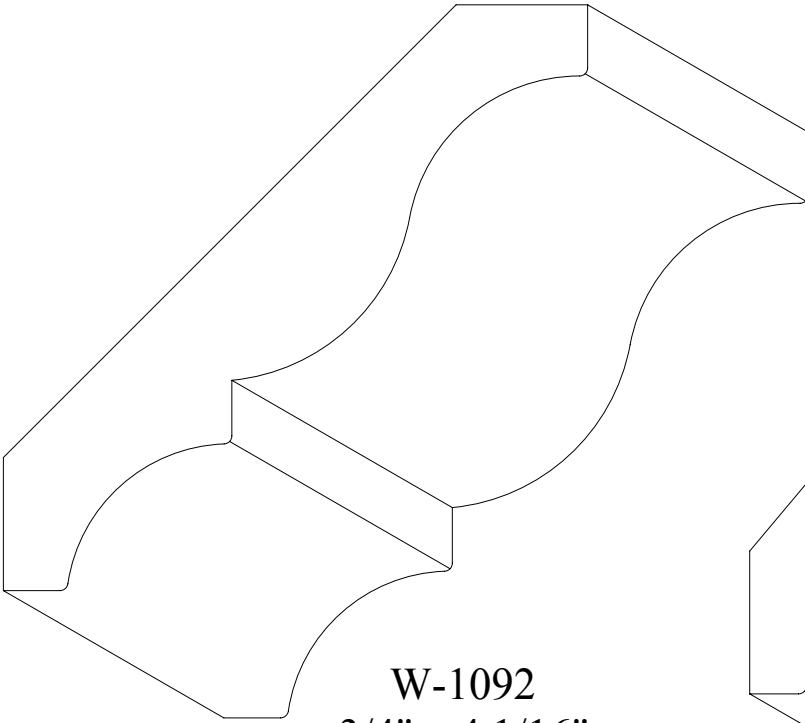


W-876  
3/4" x 4 15/16"

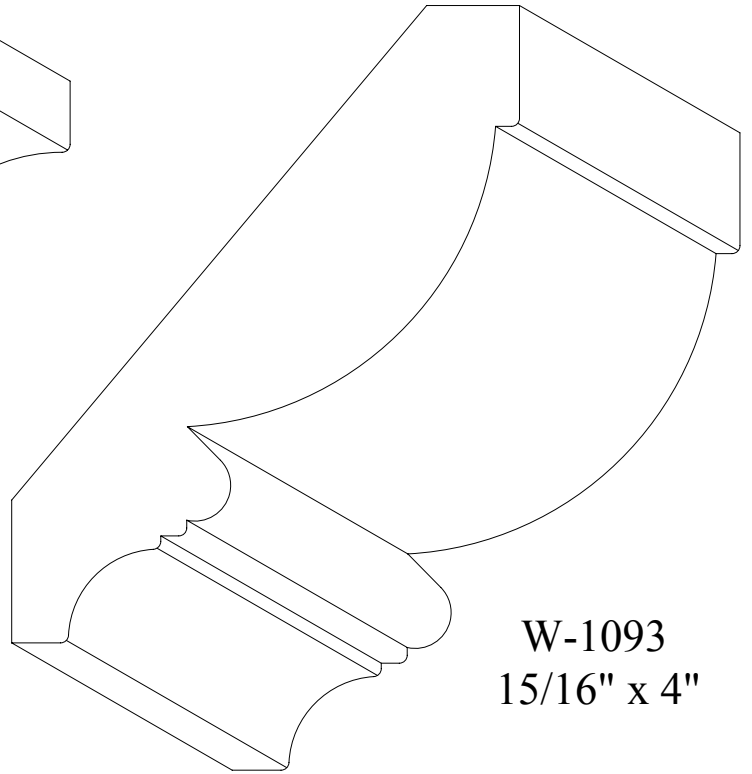


W-943  
13/16" x 4 1/4"

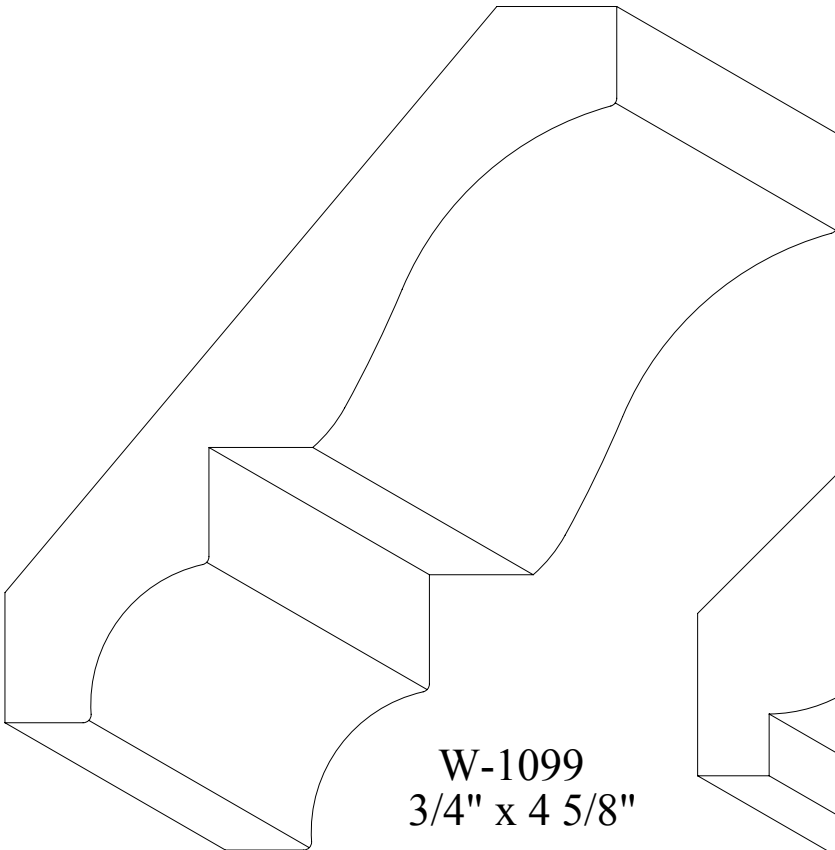
CROWN 4" TO 4 15/16"



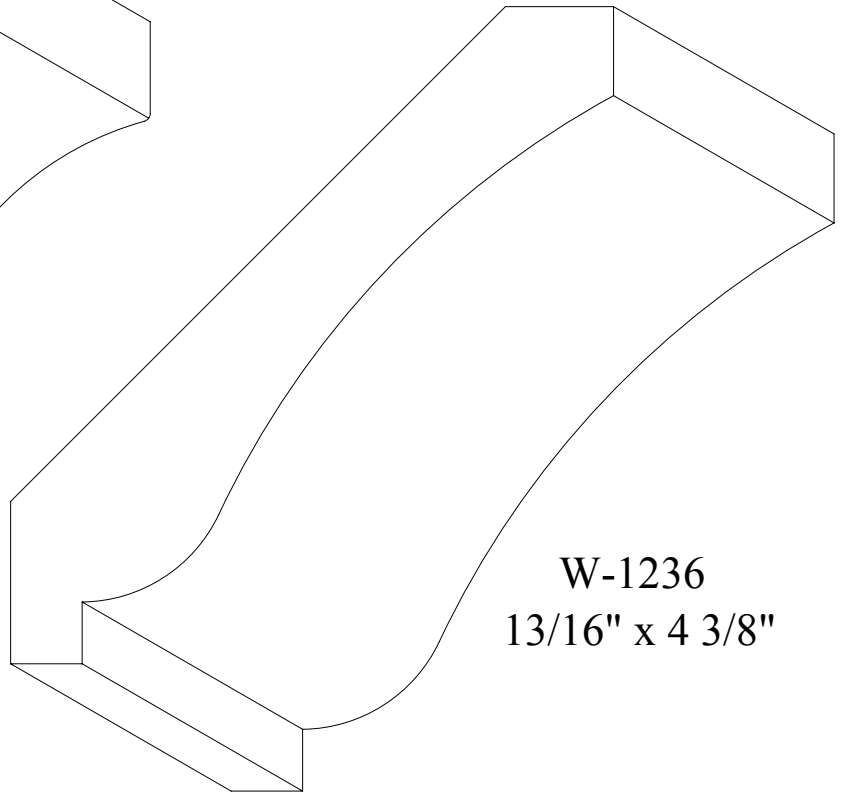
W-1092  
3/4" x 4 1/16"



W-1093  
15/16" x 4"

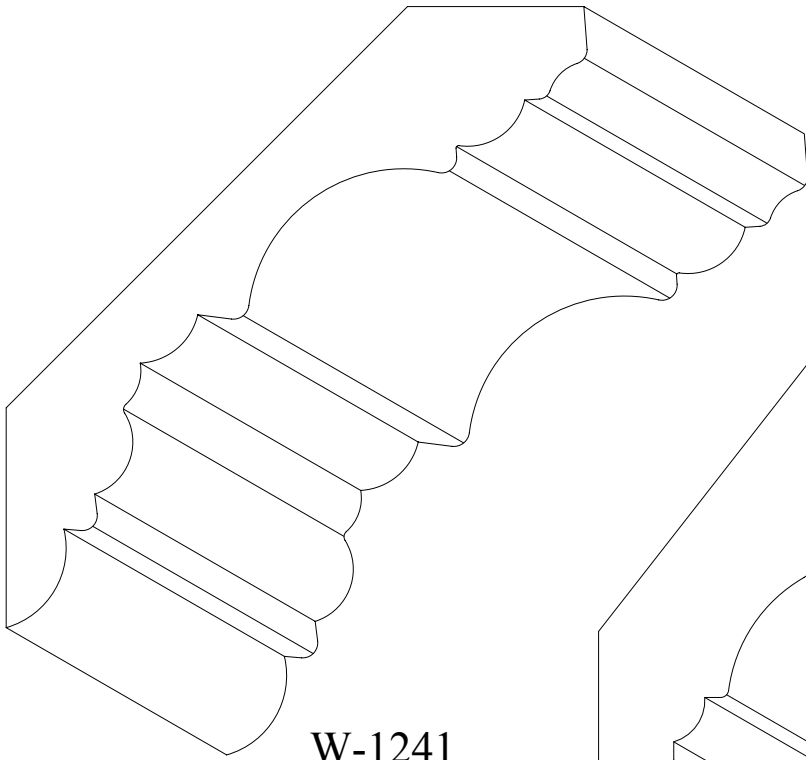


W-1099  
3/4" x 4 5/8"

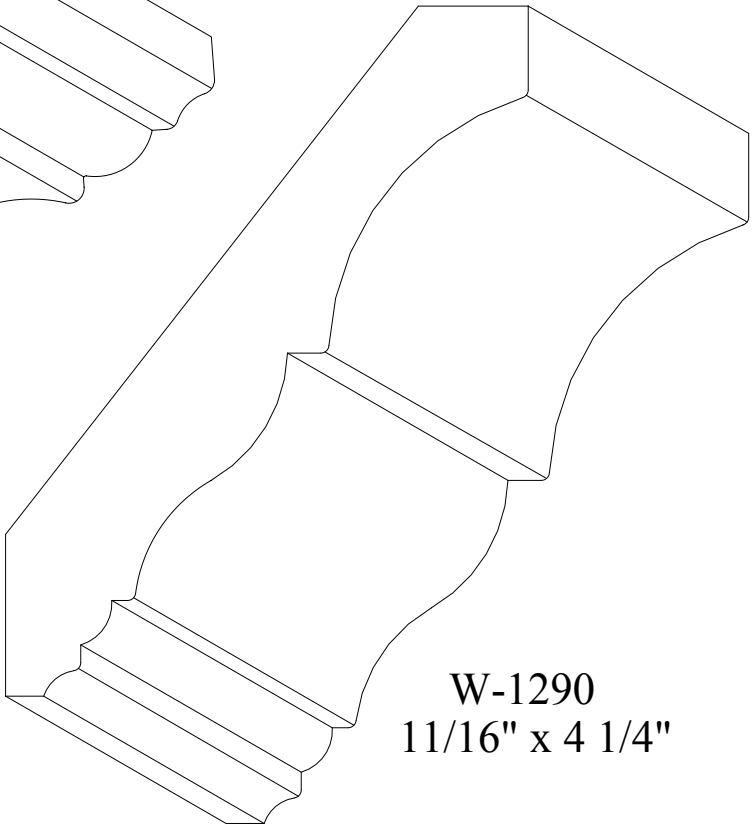


W-1236  
13/16" x 4 3/8"

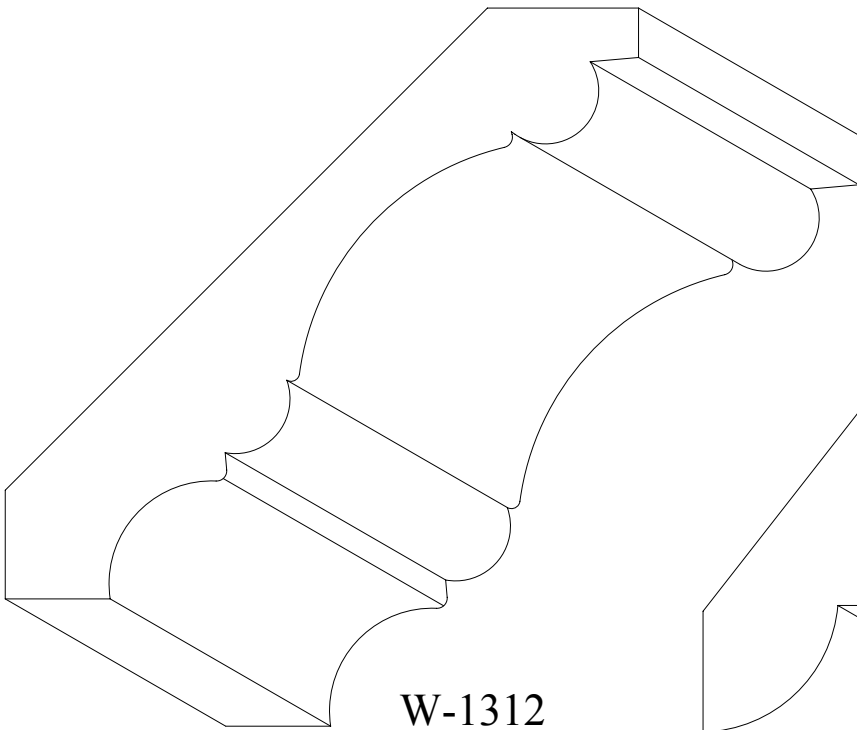
CROWN 4" TO 4 15/16"



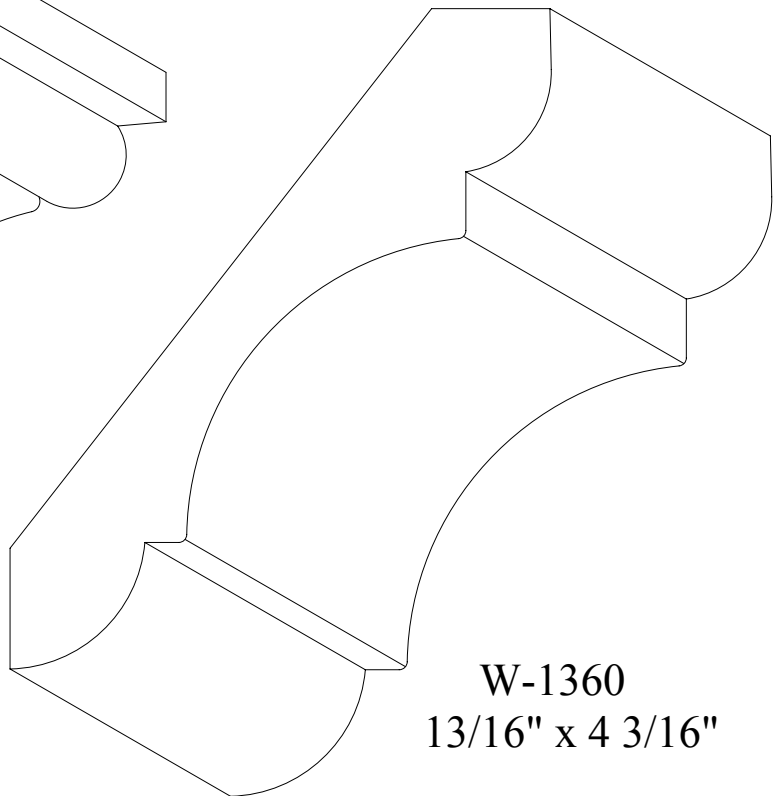
W-1241  
13/16" x 4 3/16"



W-1290  
11/16" x 4 1/4"

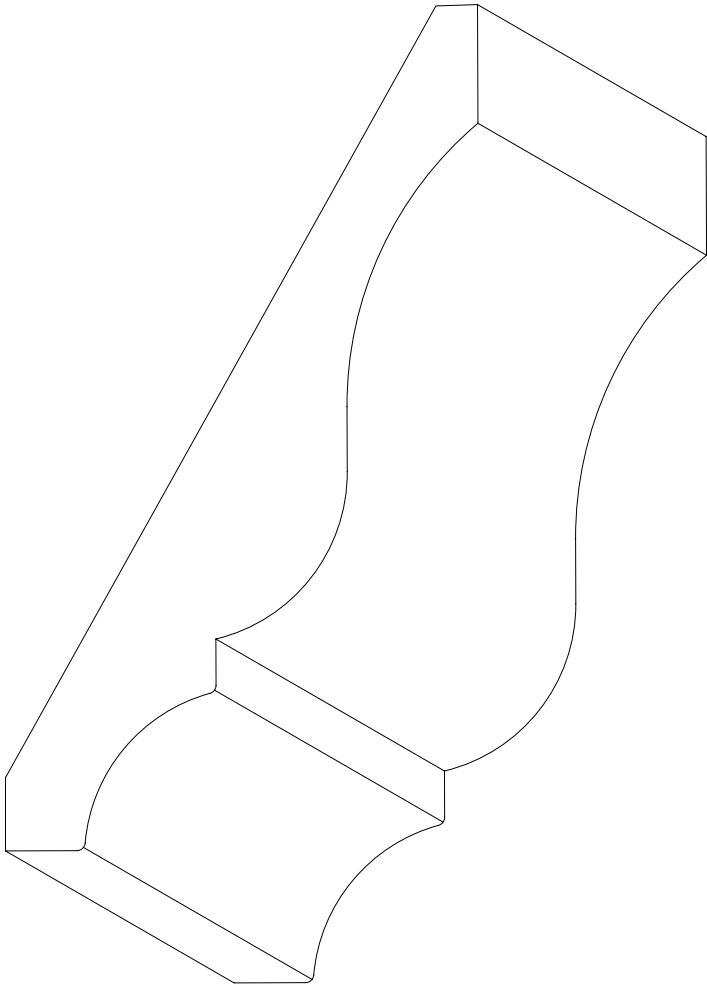


W-1312  
3/4" x 4 1/4"

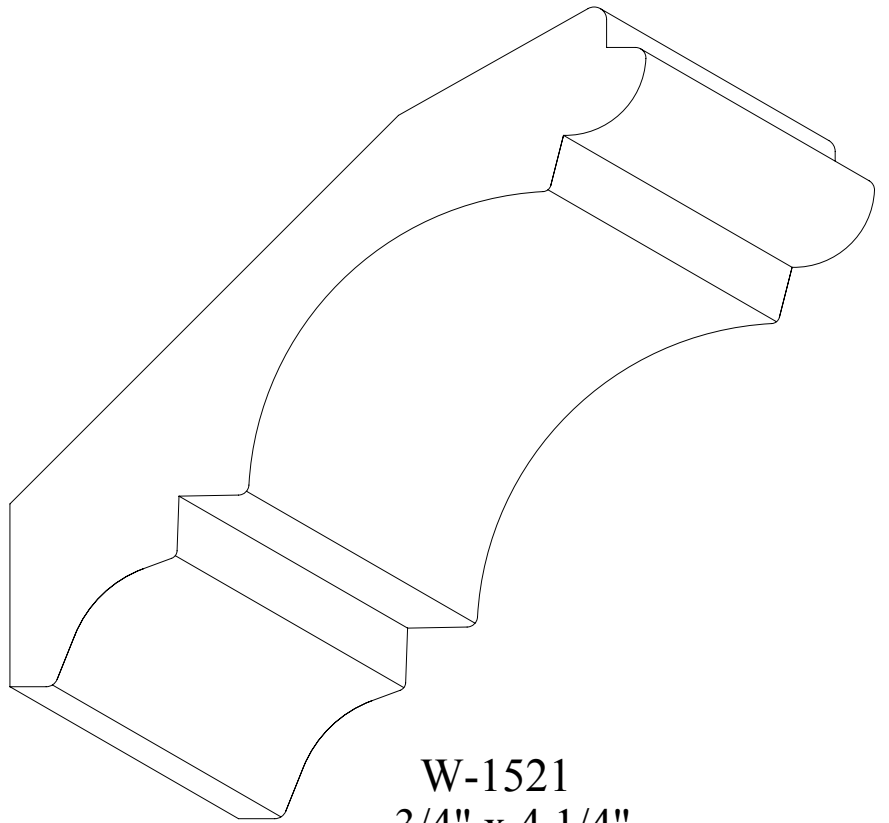


W-1360  
13/16" x 4 3/16"

CROWN 4" TO 4 15/16"

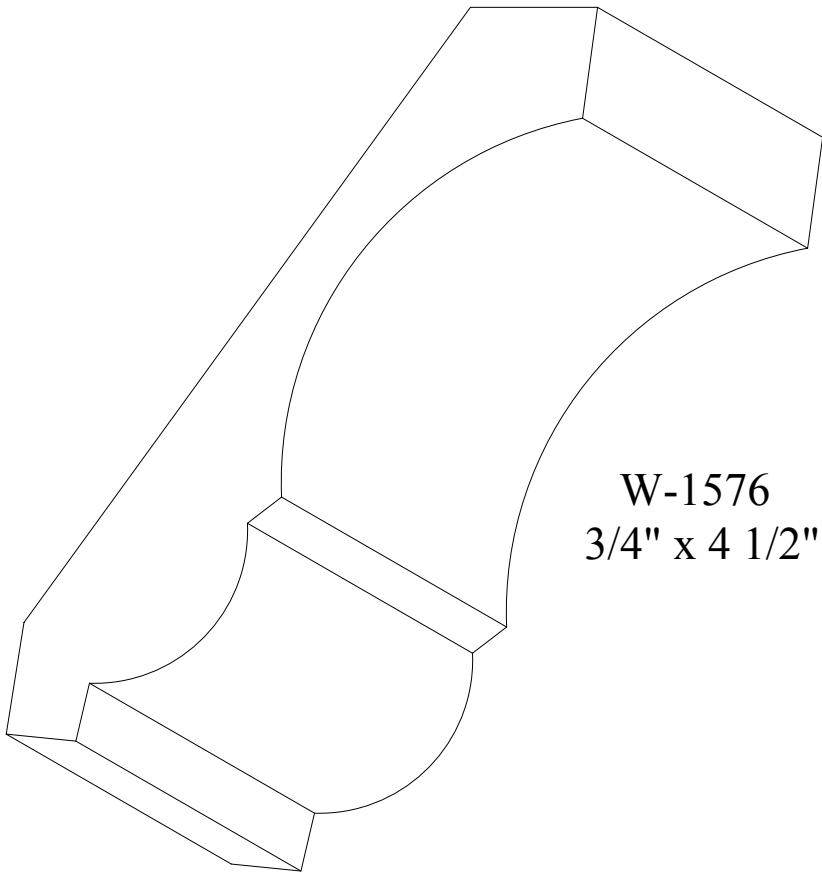


W-1420  
13/16" x 4  
5/8"

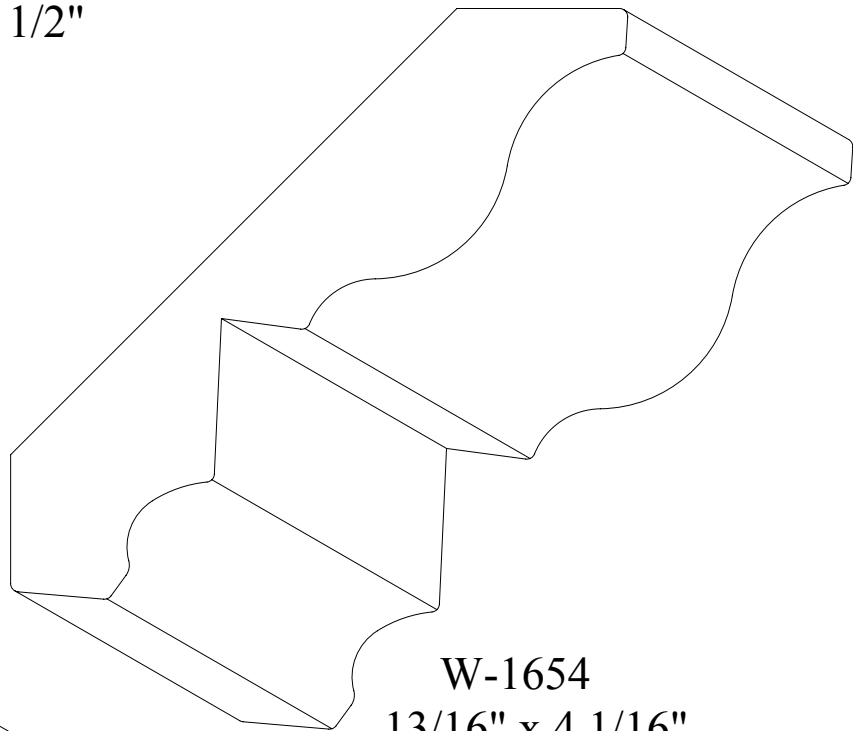


W-1521  
3/4" x 4 1/4"

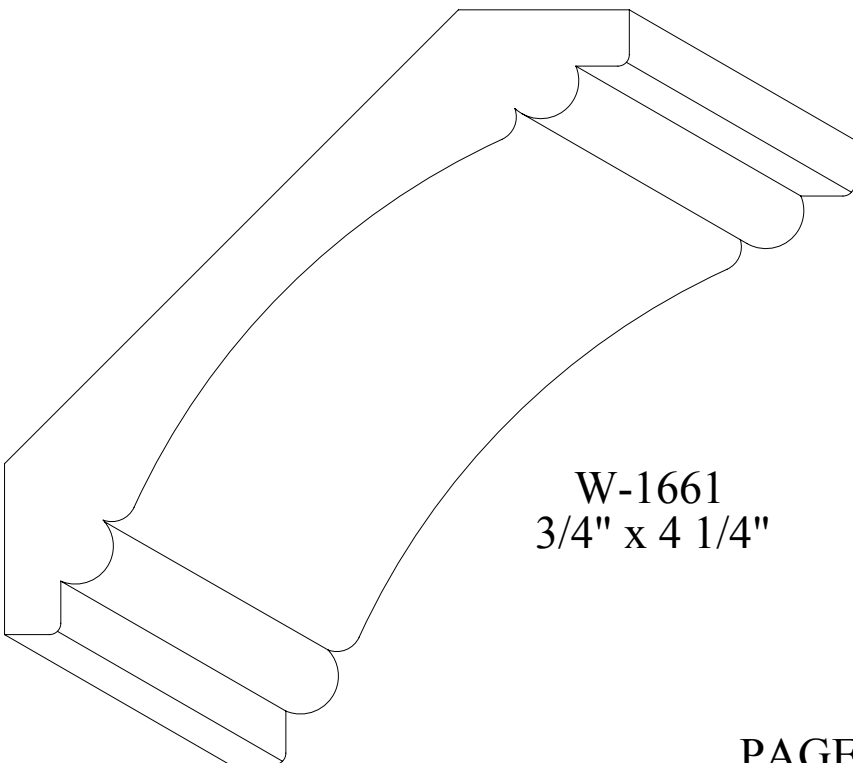
CROWN 4" TO 4 15/16"



W-1576  
3/4" x 4 1/2"

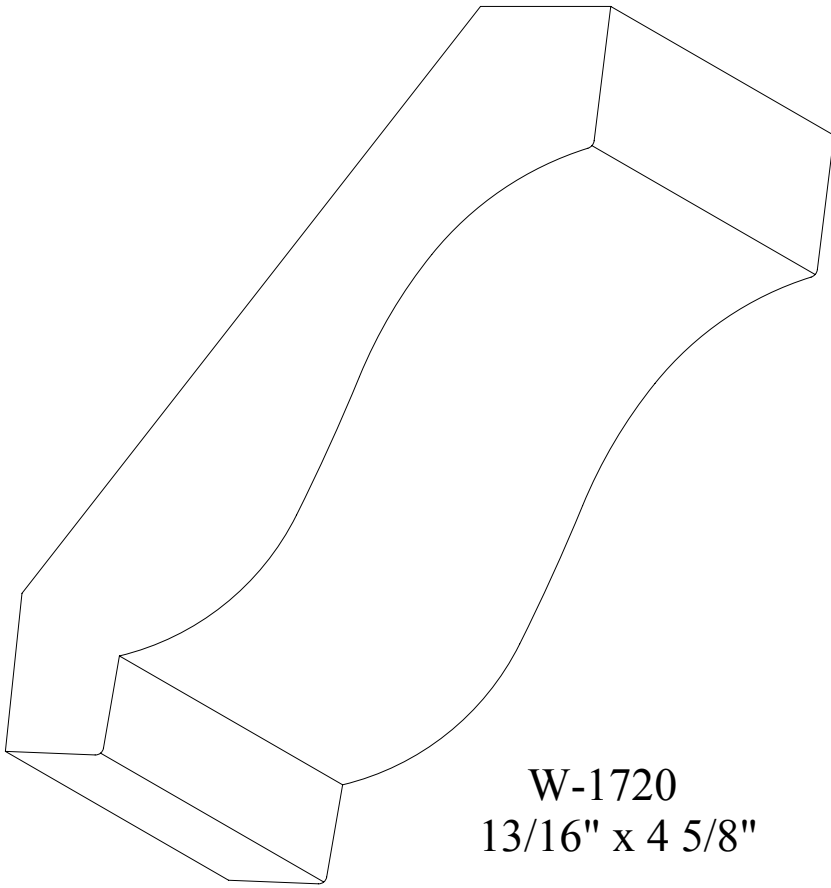


W-1654  
13/16" x 4 1/16"

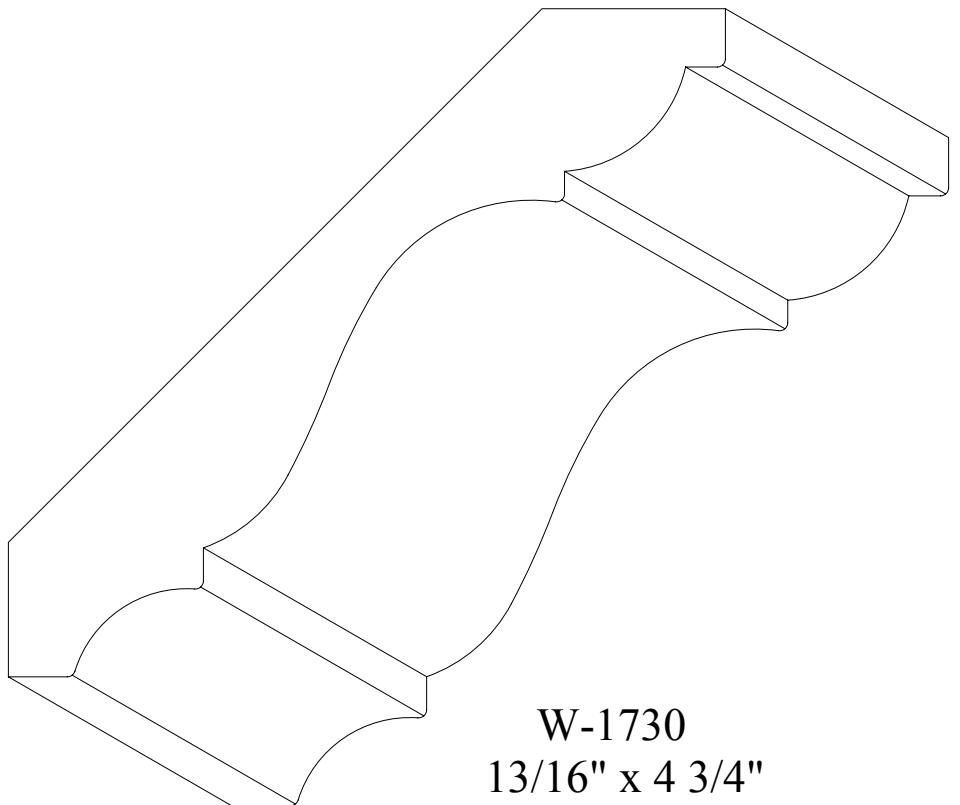


W-1661  
3/4" x 4 1/4"

CROWN 4" TO 4 15/16"



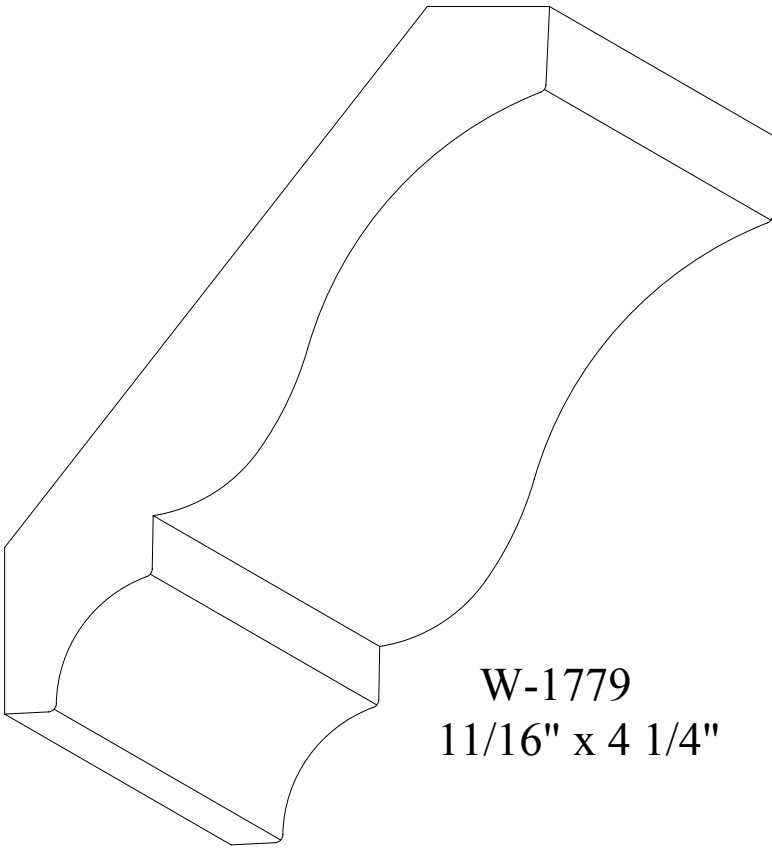
W-1720  
13/16" x 4 5/8"



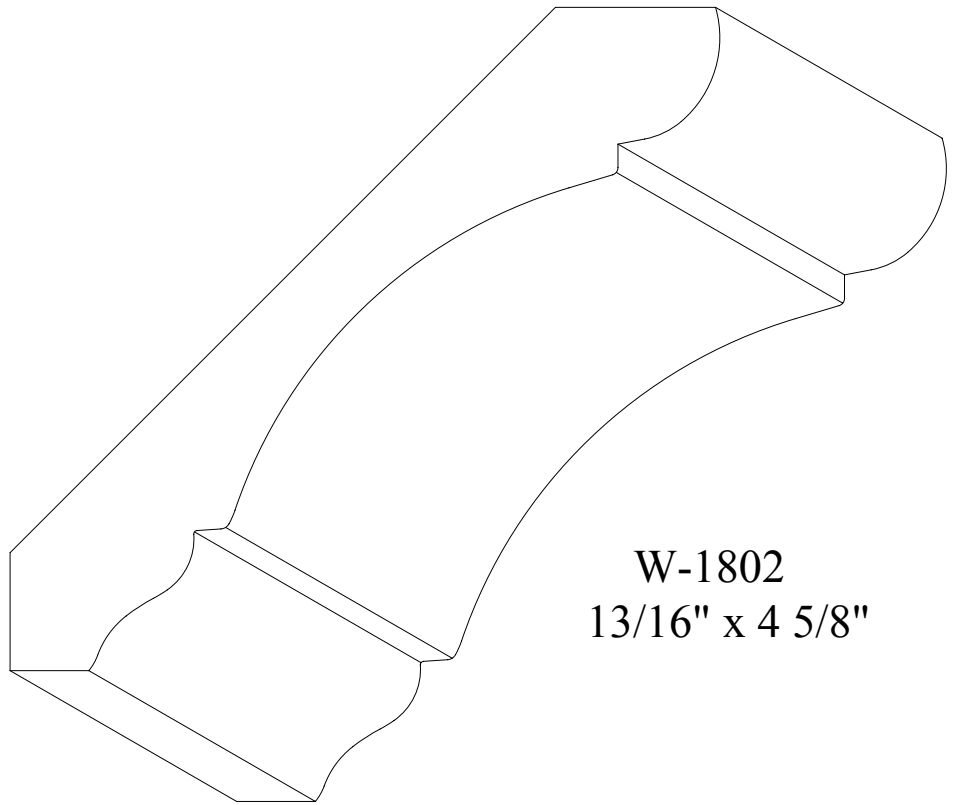
W-1730  
13/16" x 4 3/4"



CROWN 4" TO 4 15/16"

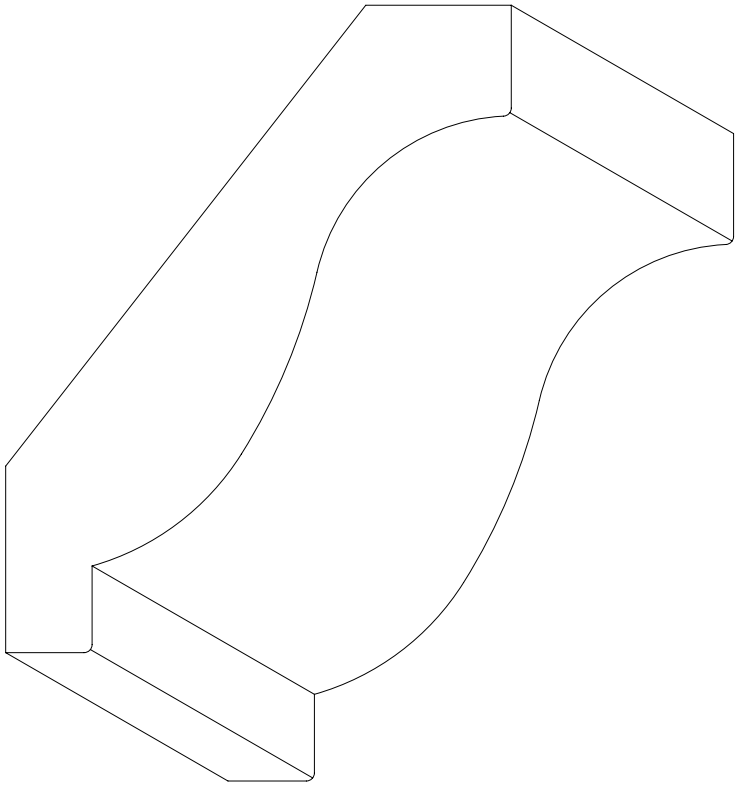


W-1779  
11/16" x 4 1/4"

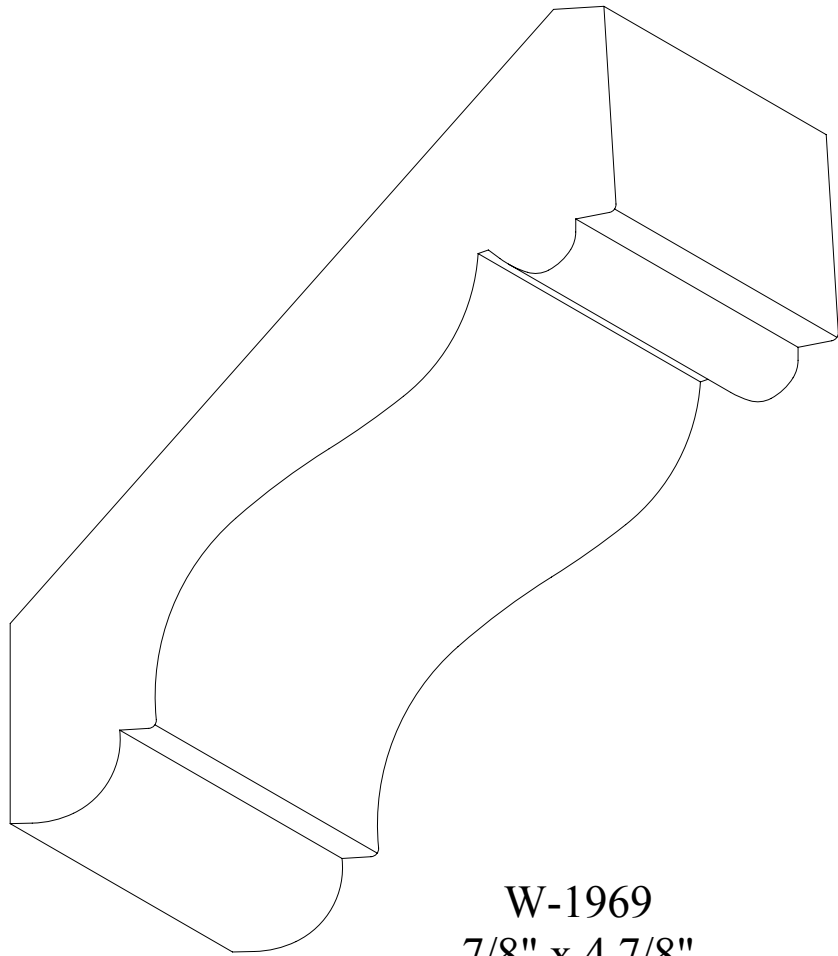


W-1802  
13/16" x 4 5/8"

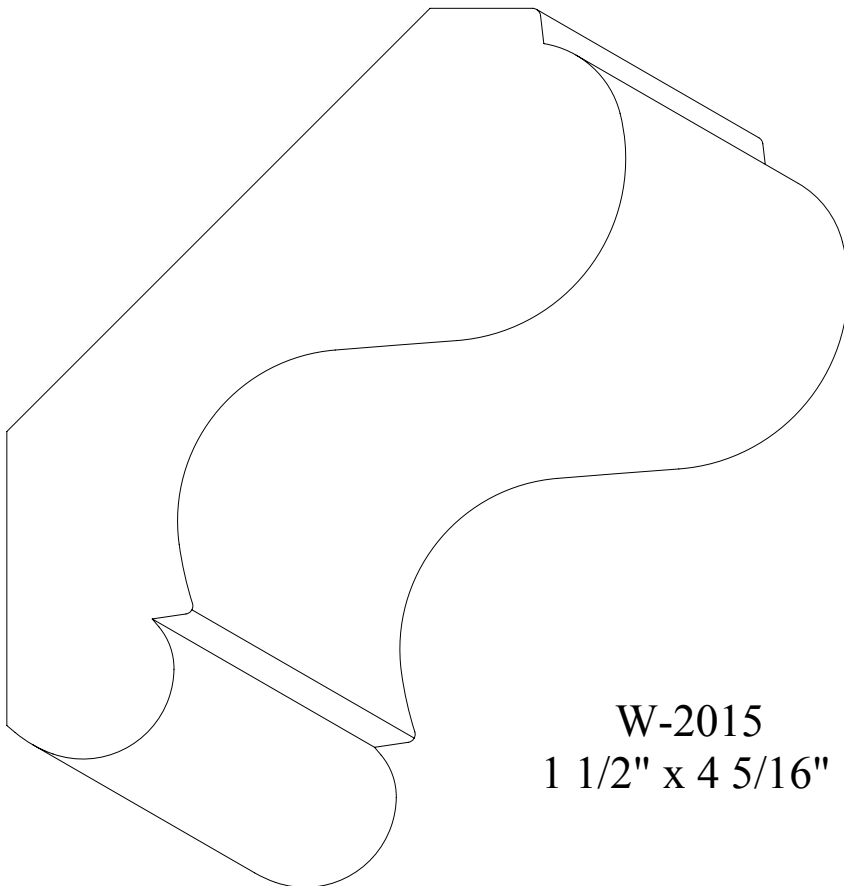
CROWN 4" TO 4 15/16"



W-1909  
7/8" x 4"

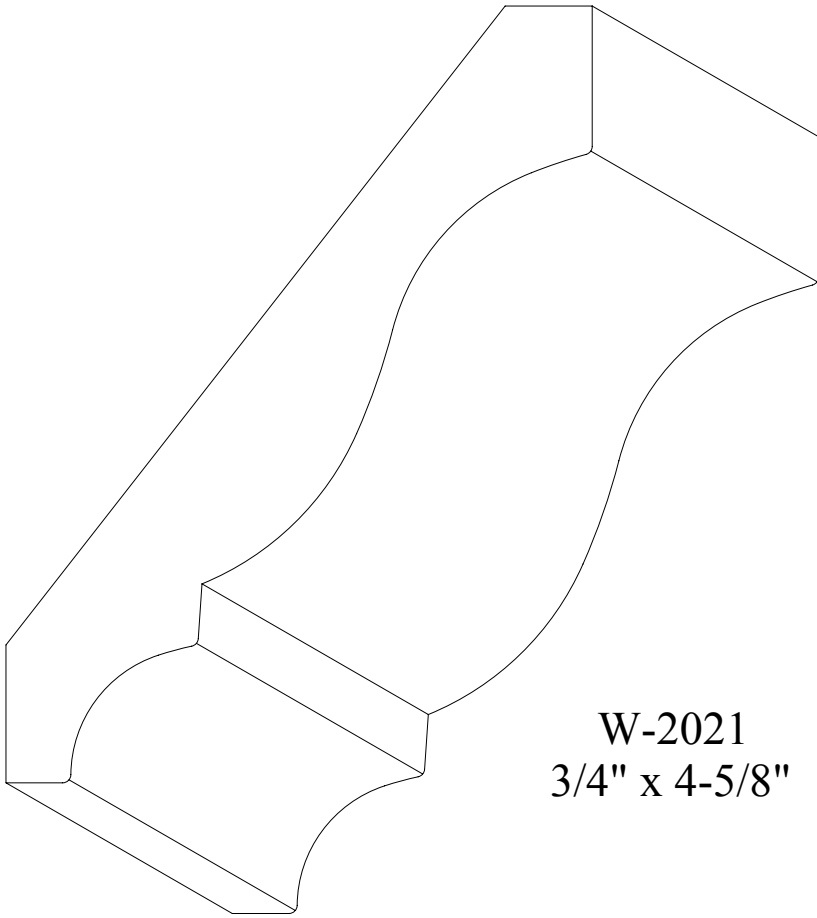


W-1969  
7/8" x 4 7/8"

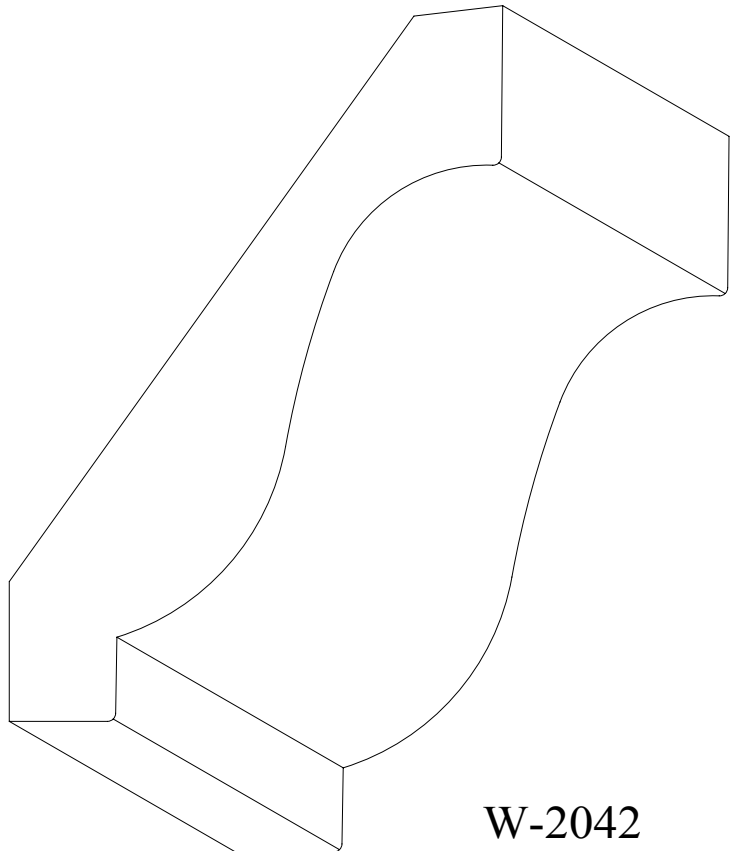


W-2015  
1 1/2" x 4 5/16"

CROWN 4" TO 4 15/16"

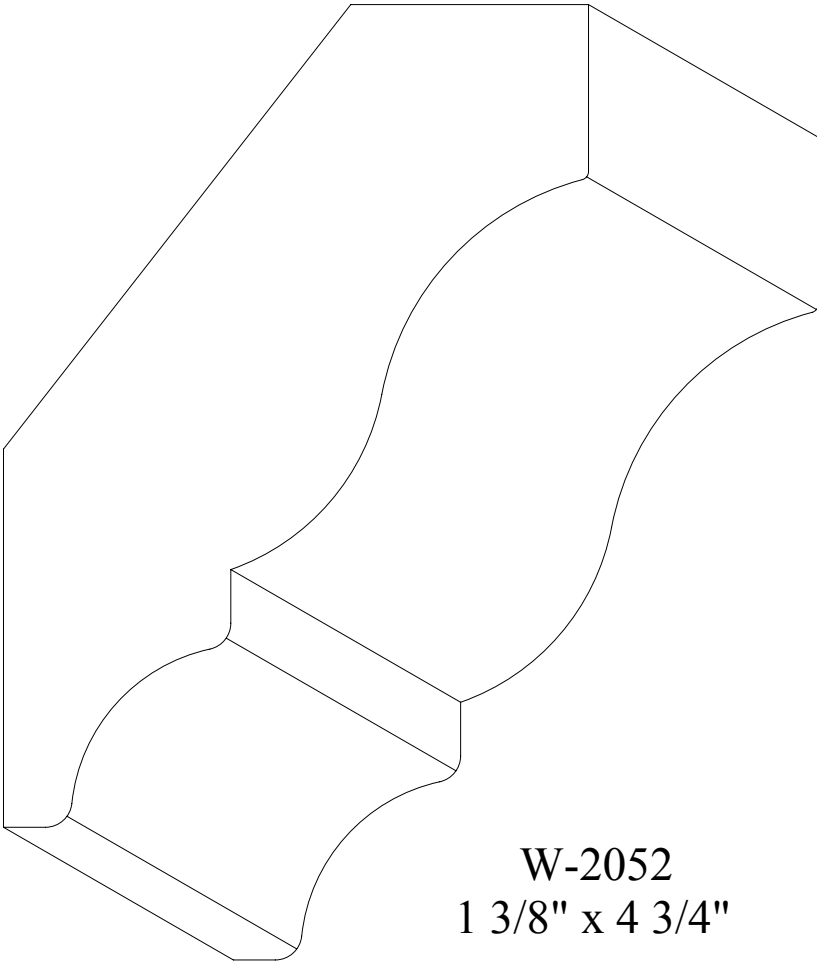


W-2021  
3/4" x 4-5/8"

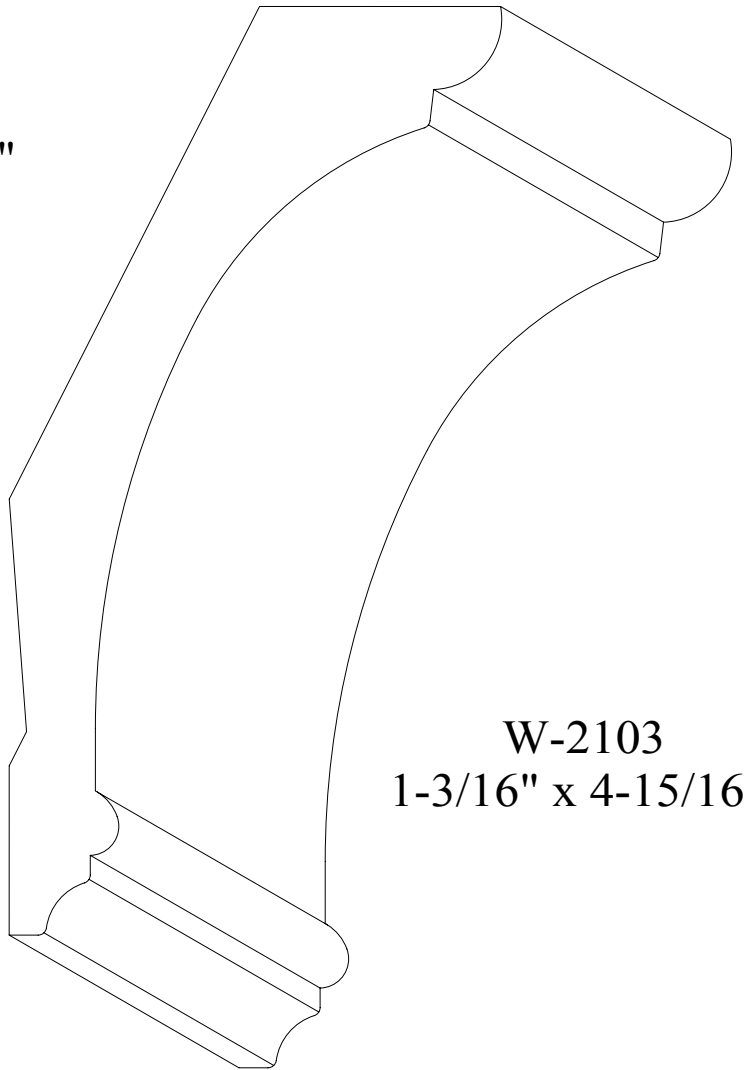


W-2042  
13/16" x 4  
3/16"

CROWN 4" TO 4 15/16"

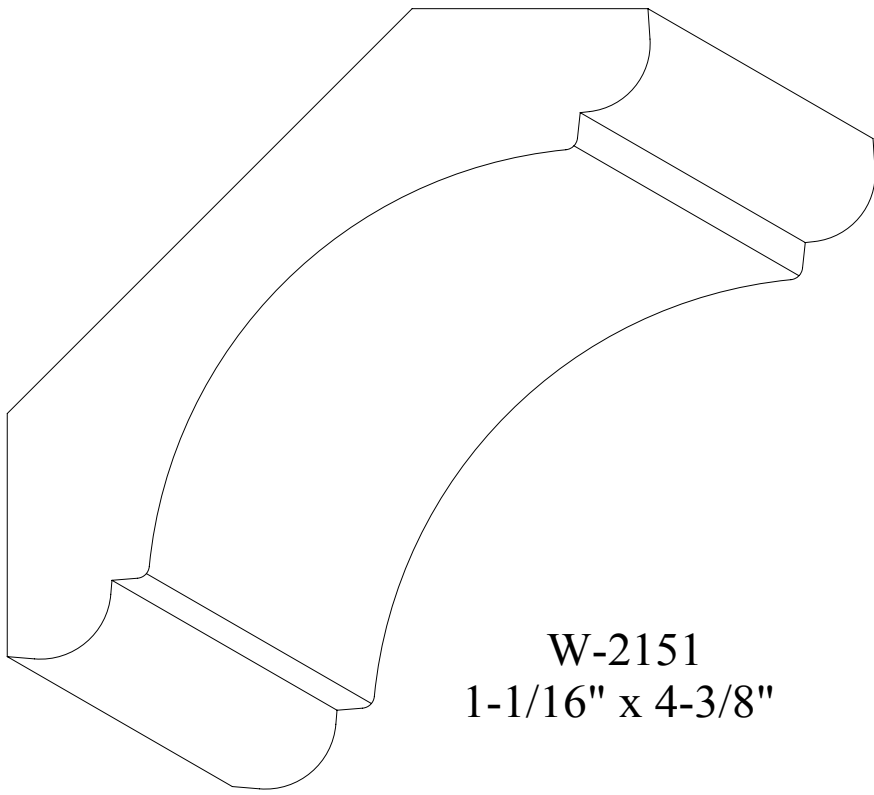


W-2052  
1 3/8" x 4 3/4"

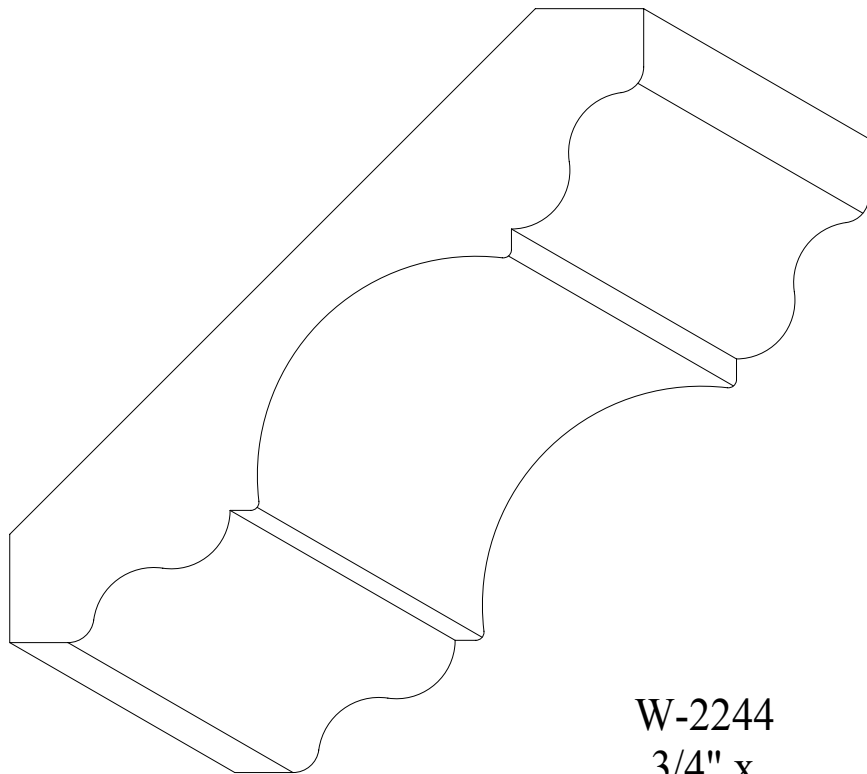


W-2103  
1-3/16" x 4-15/16"

CROWN 4" TO 4-15/16"

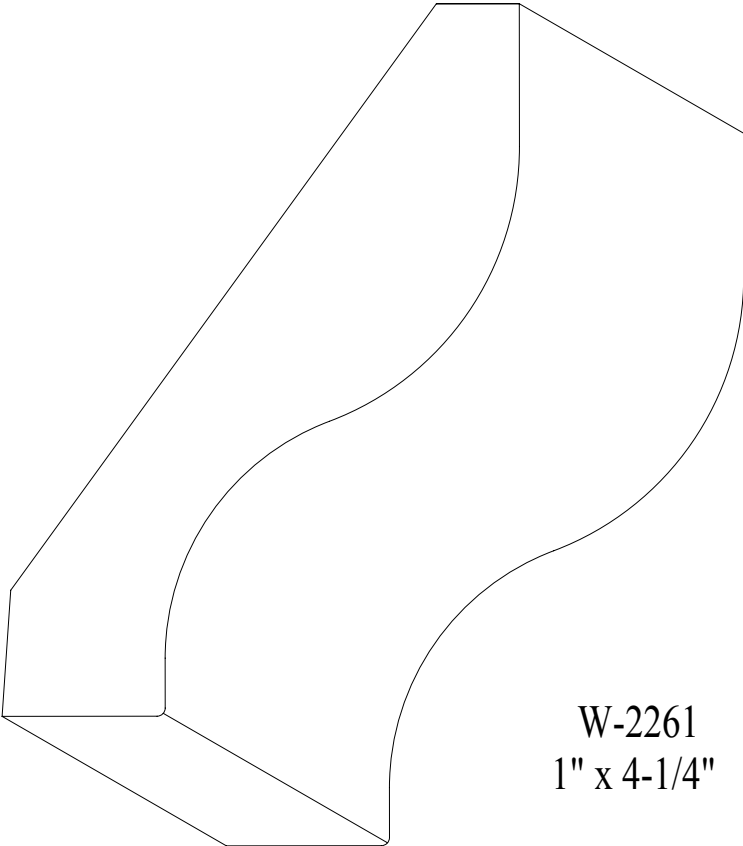


W-2151  
1-1/16" x 4-3/8"

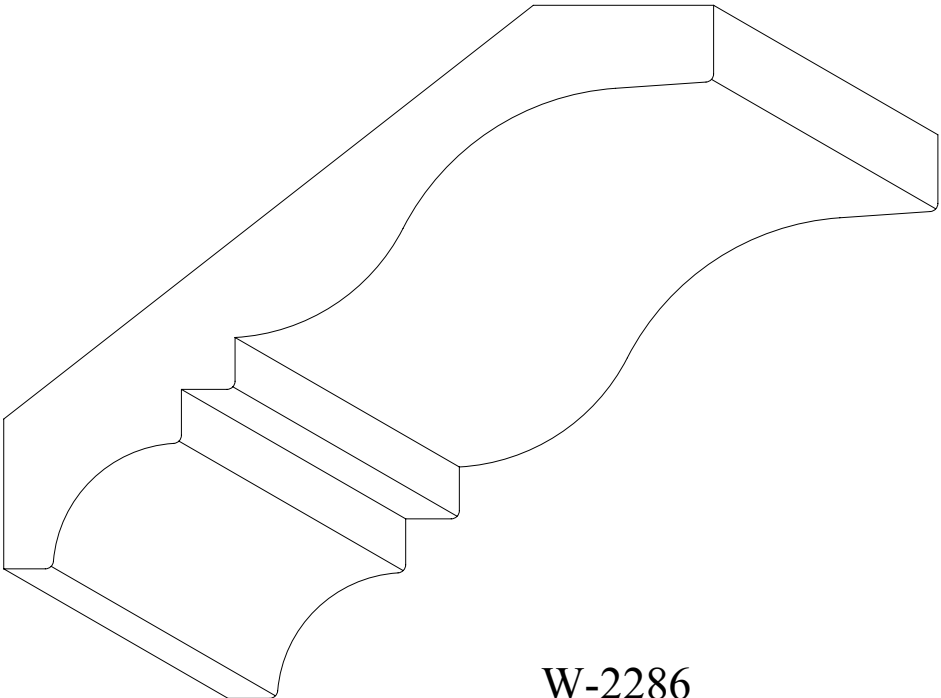


W-2244  
3/4" x  
4-5/16"

CROWN 4" TO 4-15/16"

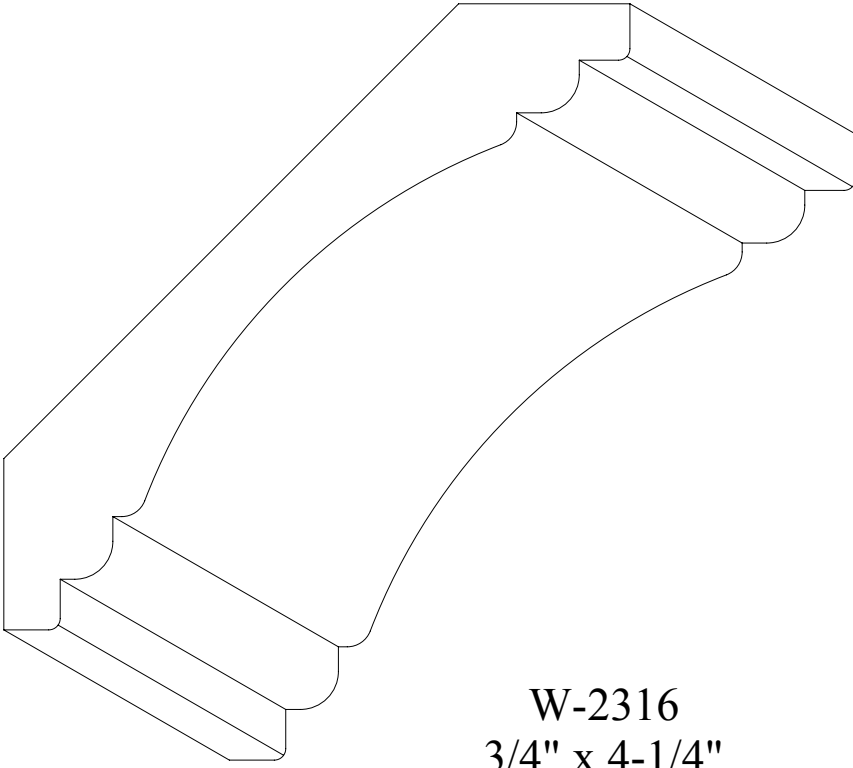


W-2261  
1" x 4-1/4"

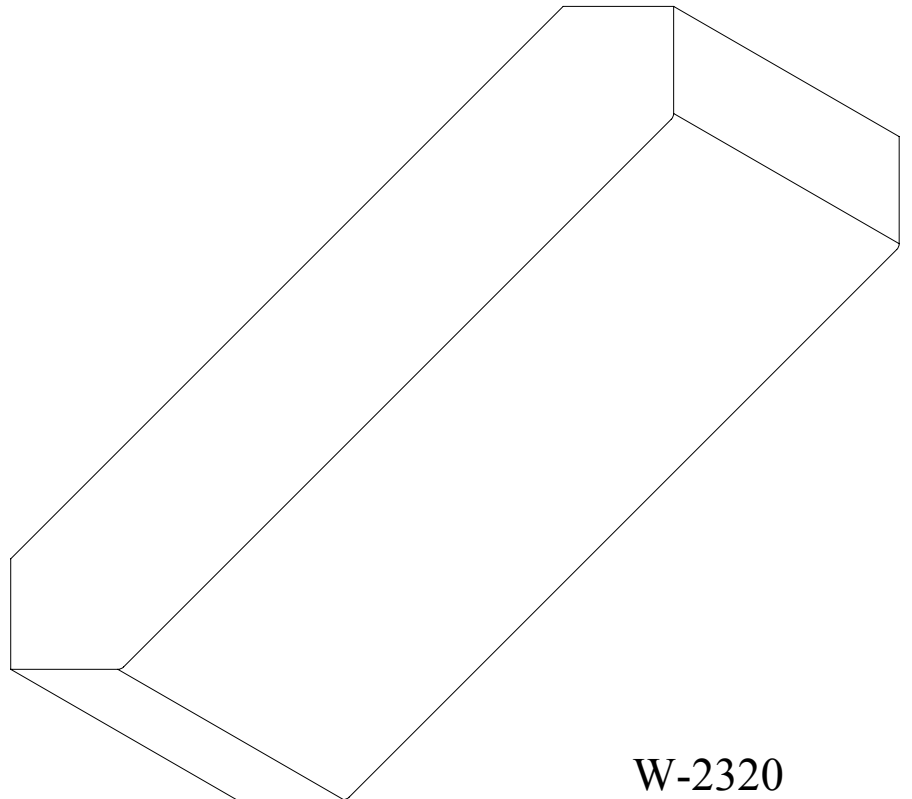


W-2286  
13/16" x 4-3/8"

CROWN 4" TO 4-15/16"



W-2316  
3/4" x 4-1/4"



W-2320  
3/4" X 4-1/2"