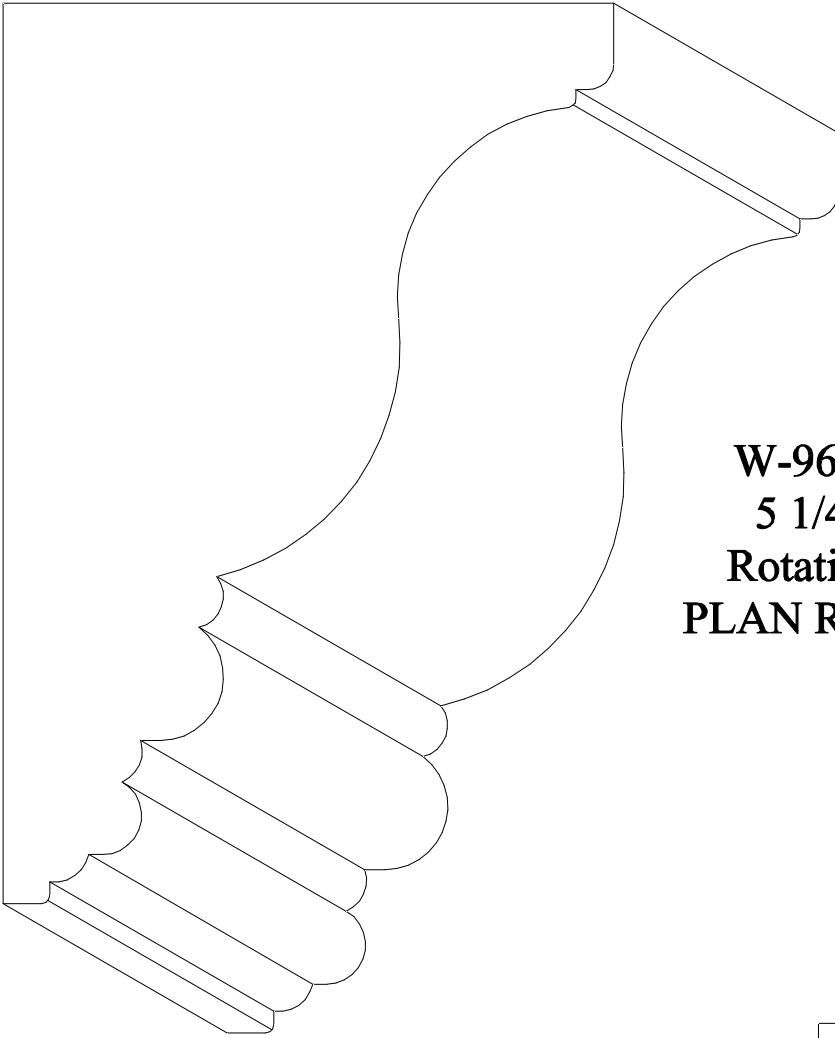
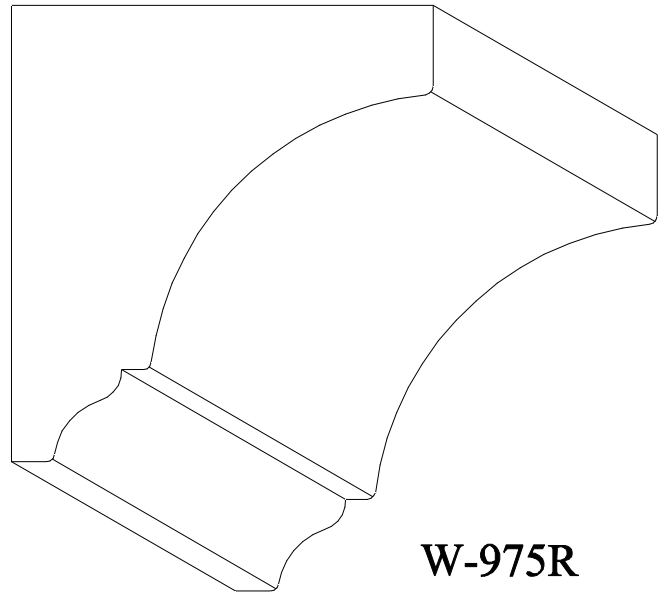


RADIUSED CROWN

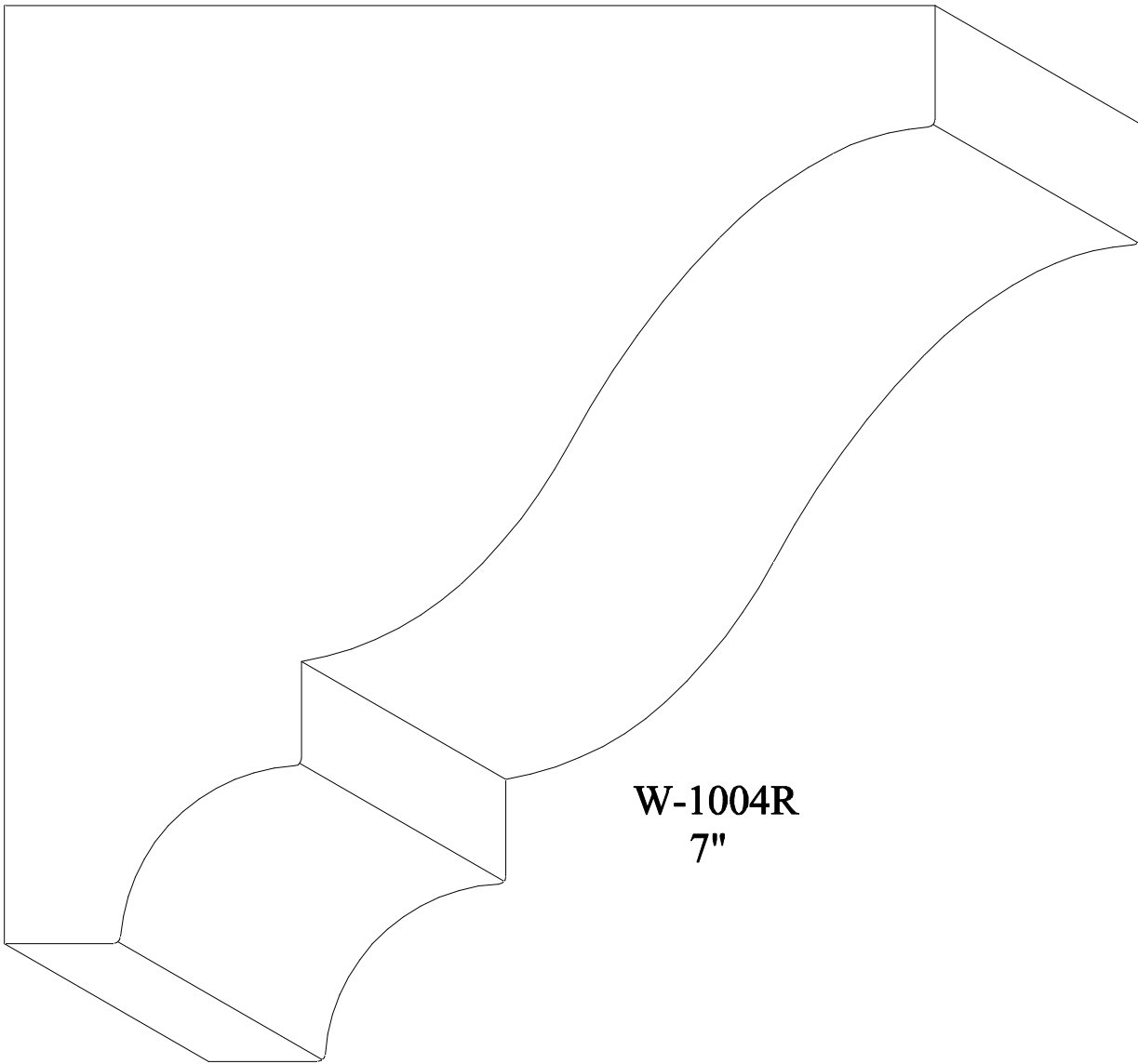


W-969R
5 1/4"
Rotation:
PLAN Radius

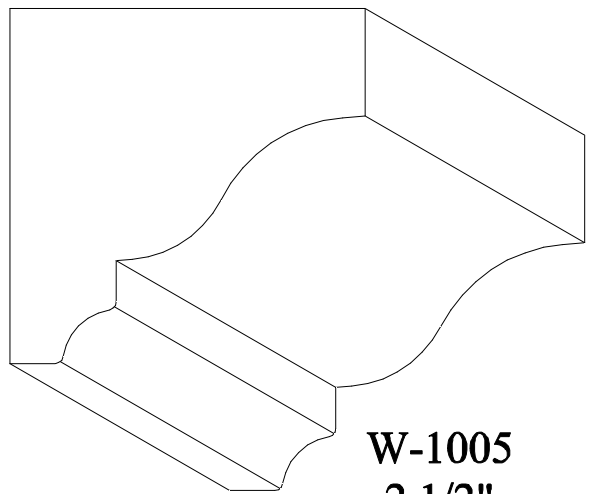


W-975R
3"
Rotation:
PLAN Radius

RADIUSED CROWN

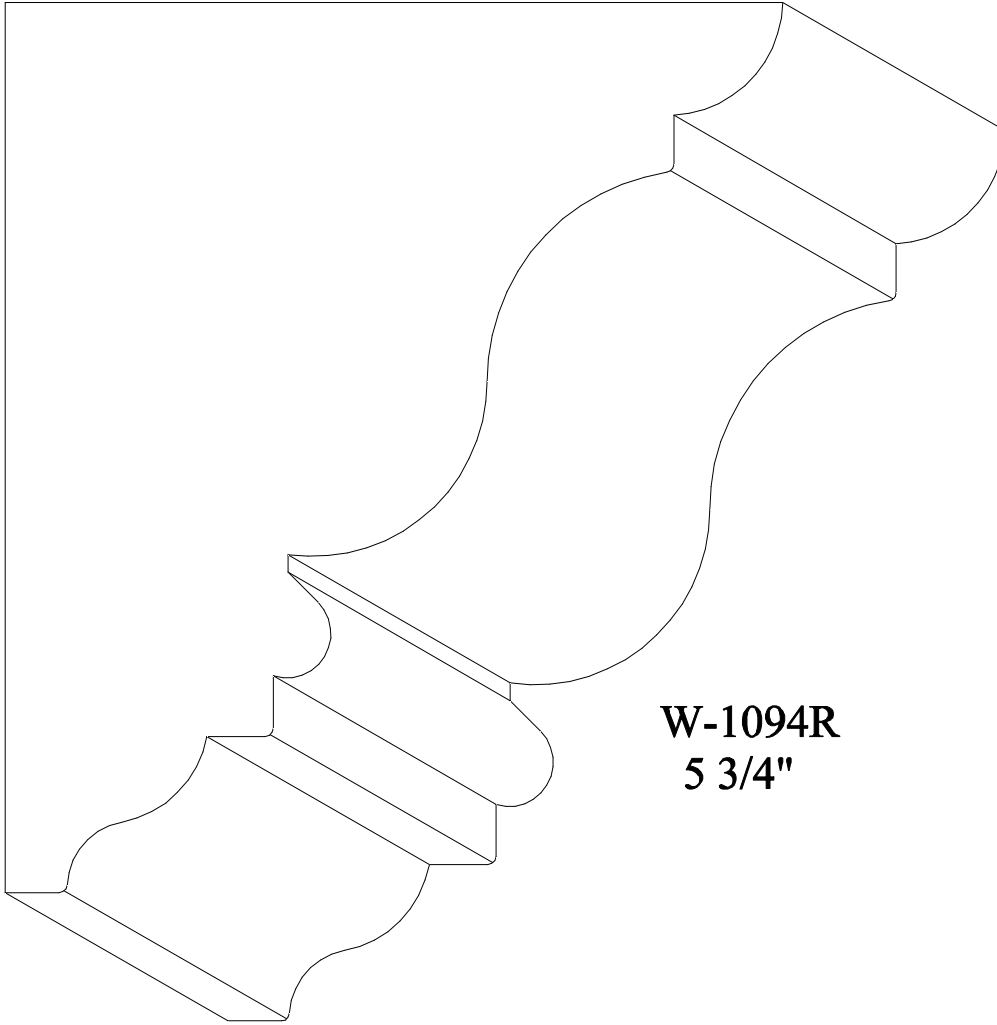


W-1004R
7"

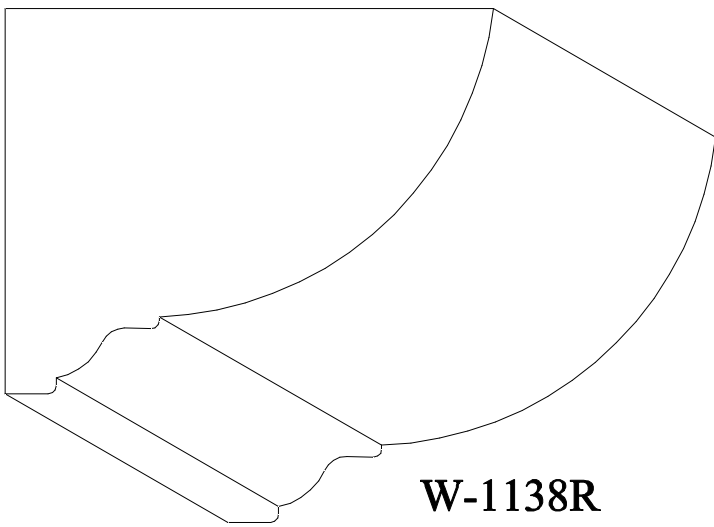


W-1005
2 1/2"

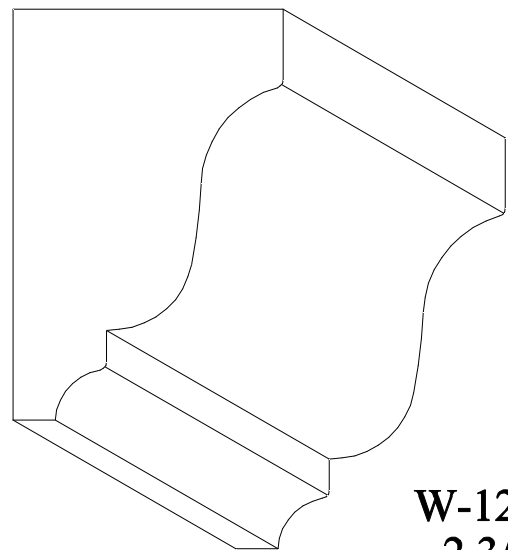
RADIUSED CROWN



W-1094R
5 3/4"

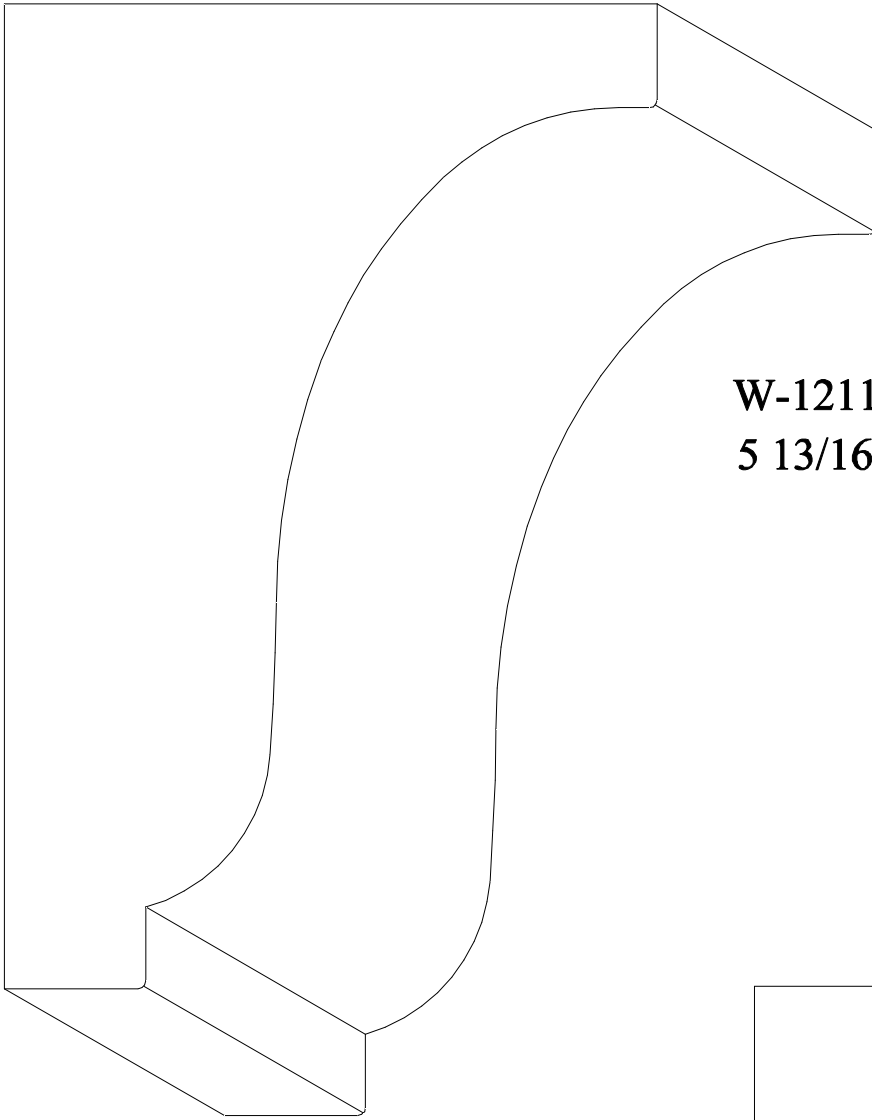


W-1138R
3"

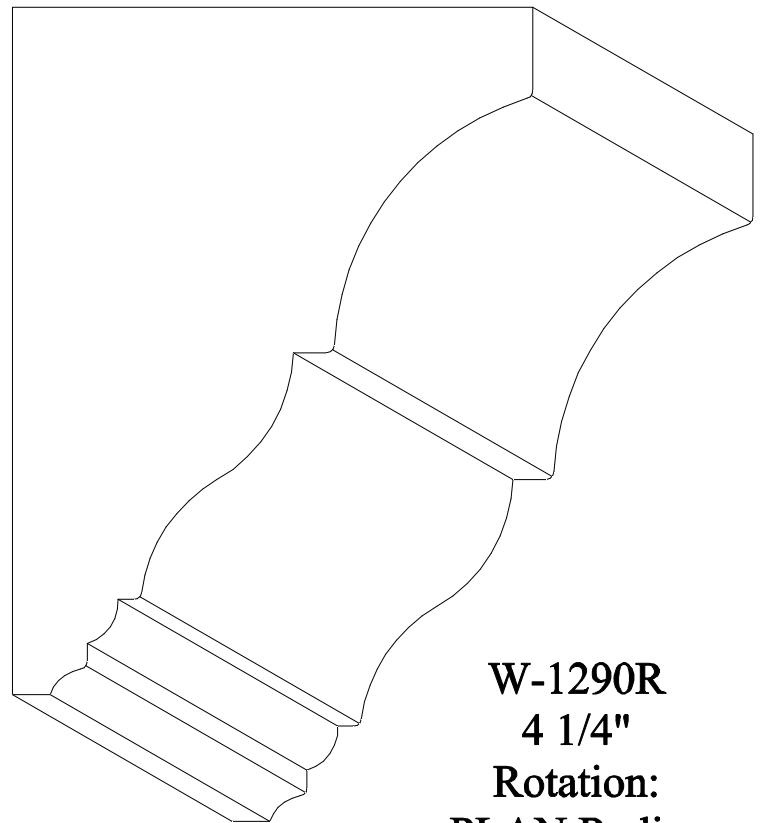


W-1210R
2 3/8"

RADIUSED CROWN

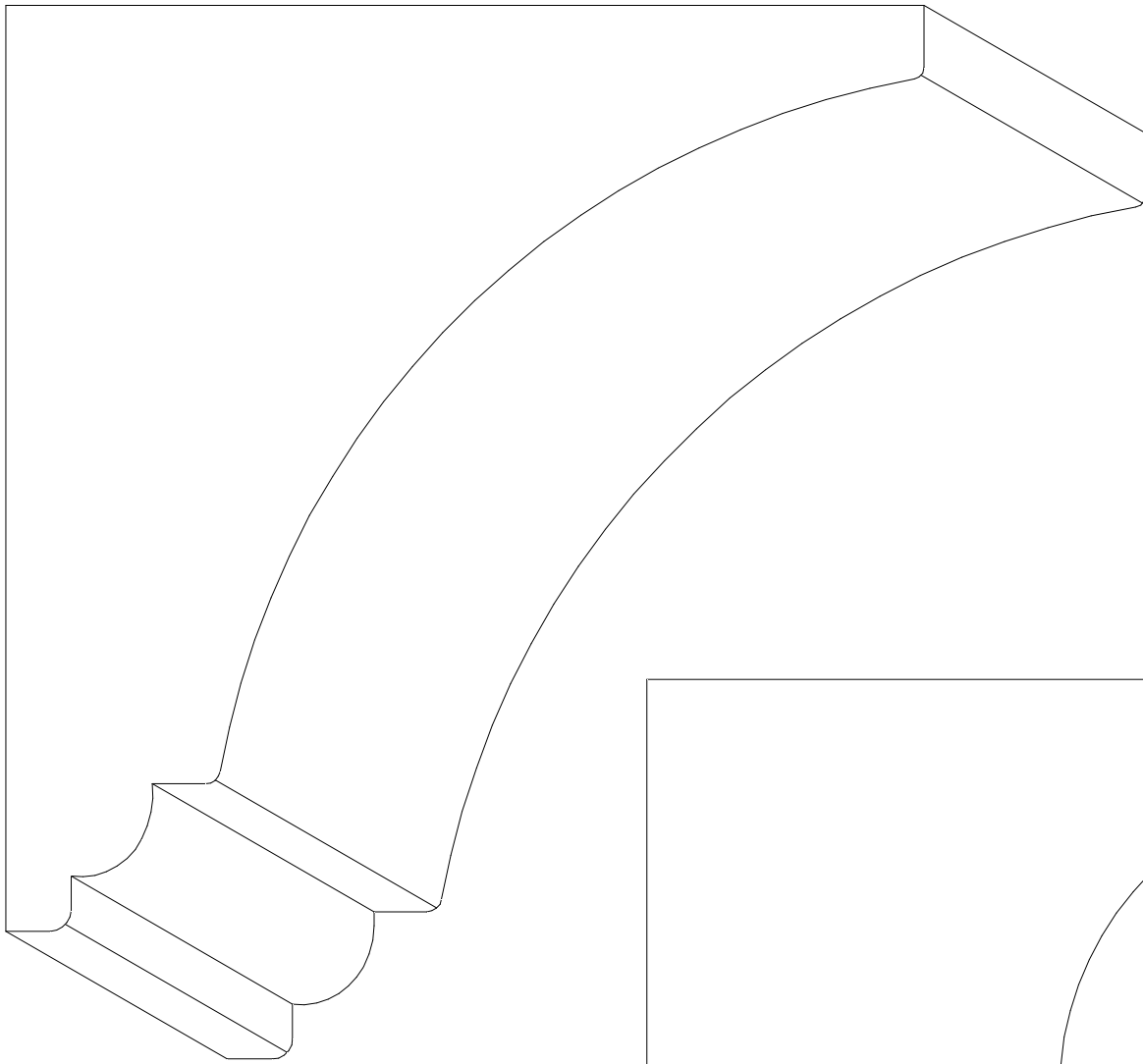


W-1211R
5 13/16"

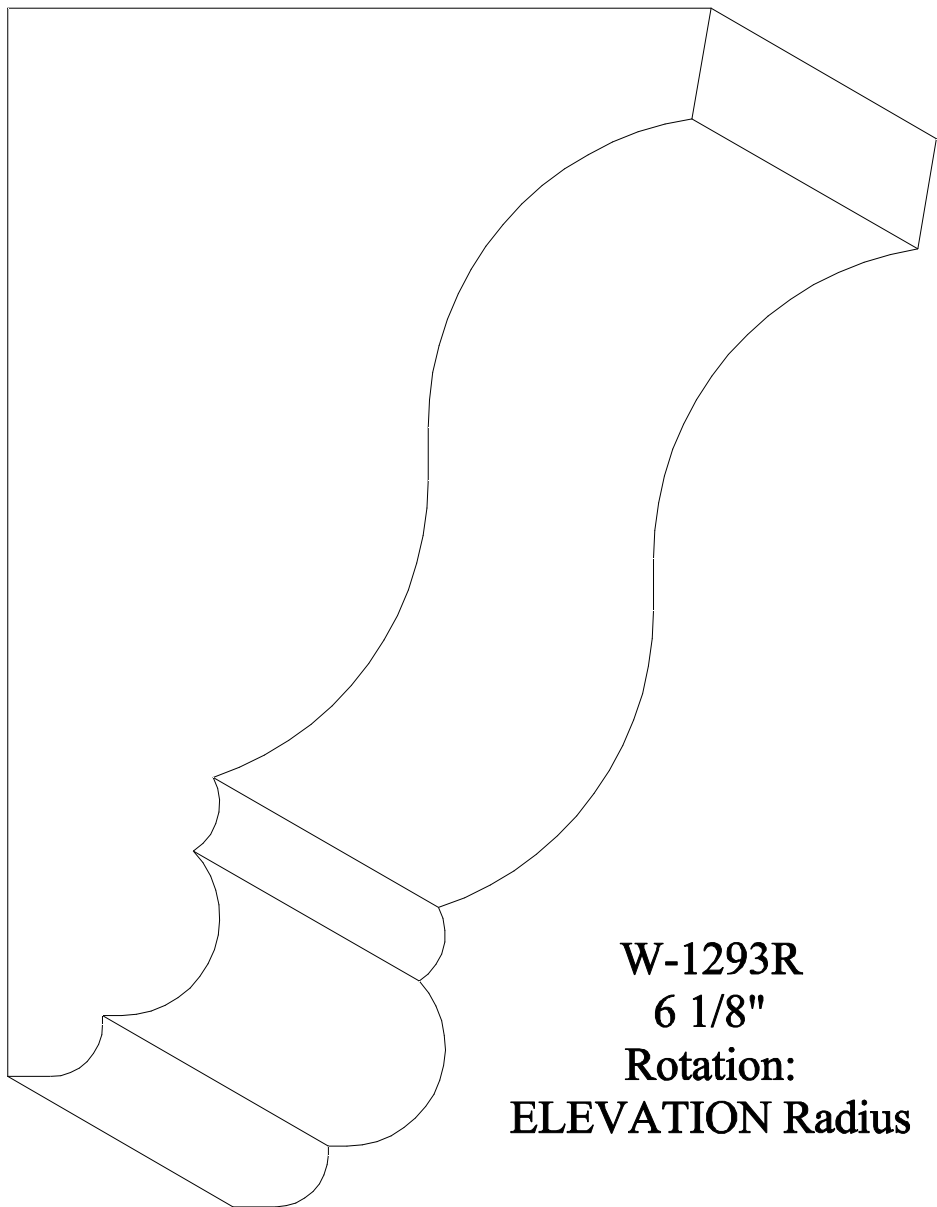


W-1290R
4 1/4"
Rotation:
PLAN Radius

RADIUSED CROWN

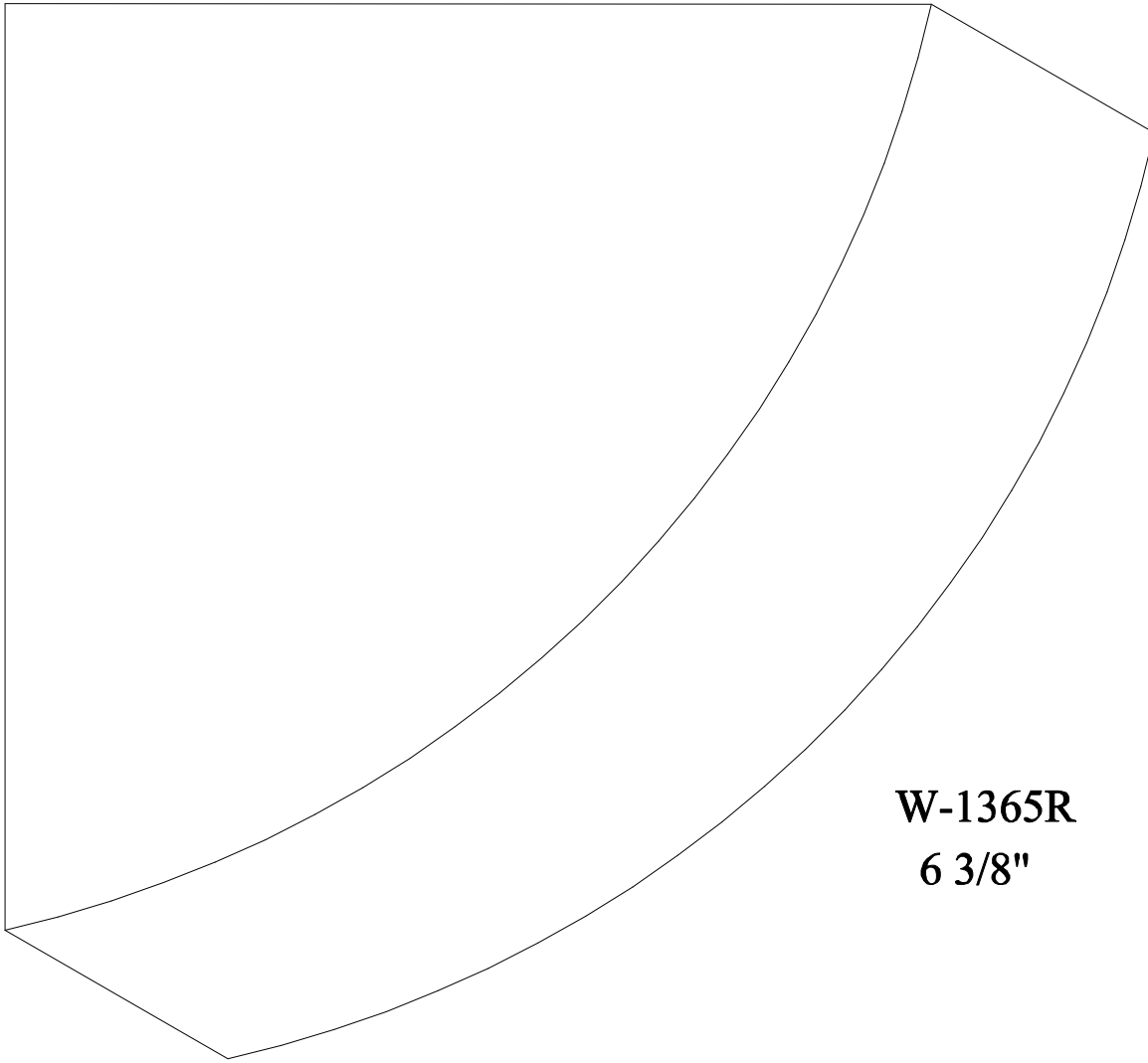


W-1296R
6 3/8"

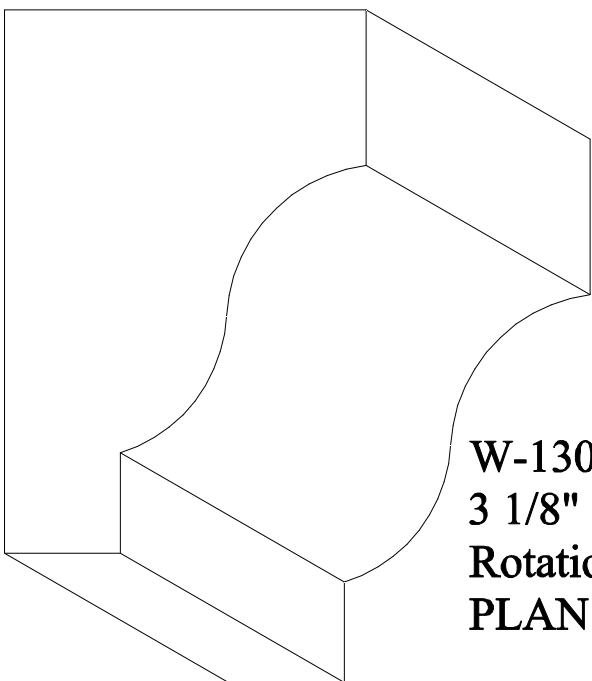


W-1293R
6 1/8"
Rotation:
ELEVATION Radius

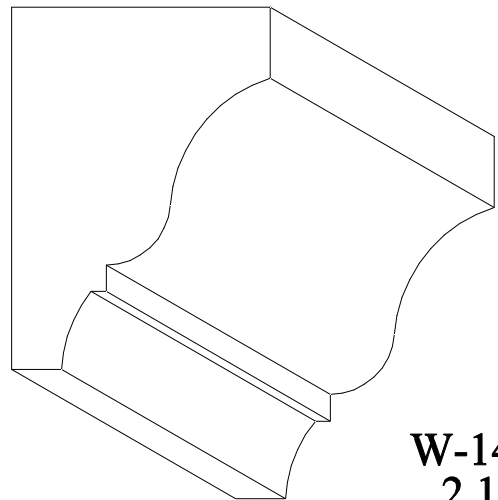
RADIUSED CROWN



W-1365R
6 3/8"

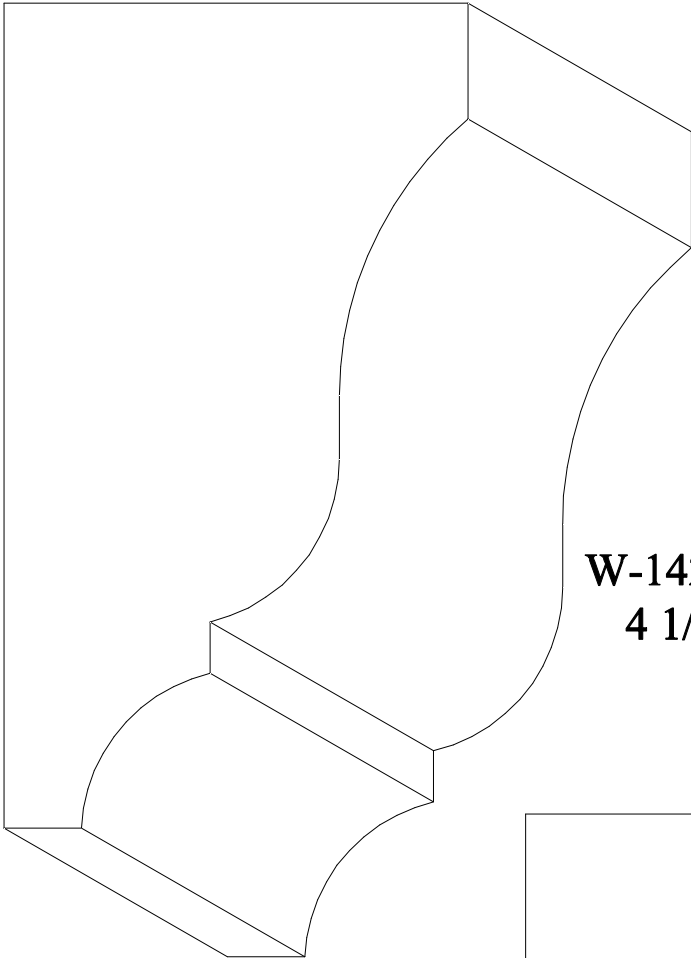


W-1302R
3 1/8"
Rotation:
PLAN Radius

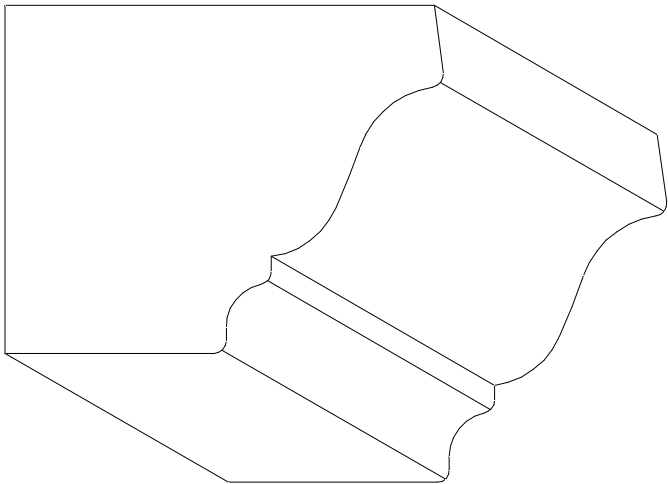


W-1417R
2 1/8"

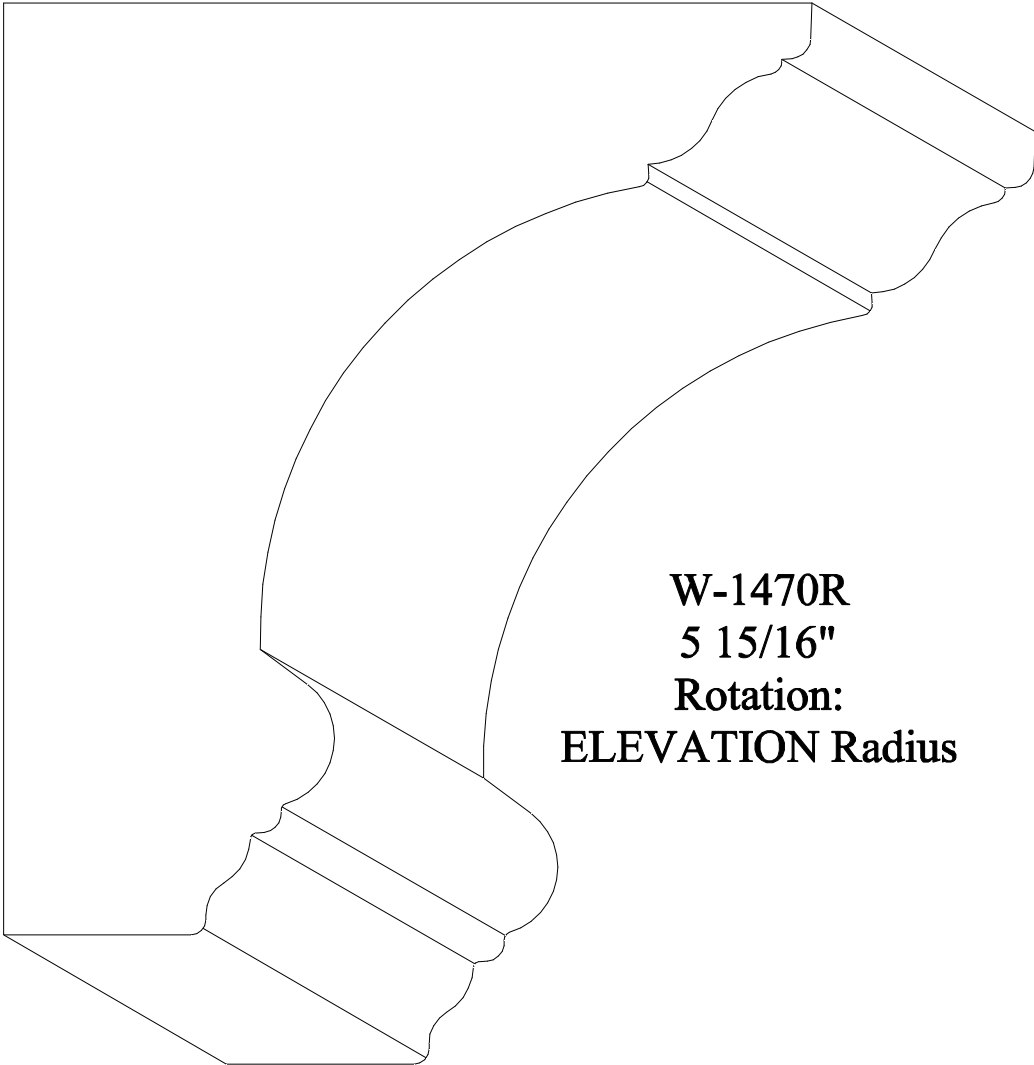
RADIUSED CROWN



W-1420R
4 1/2"

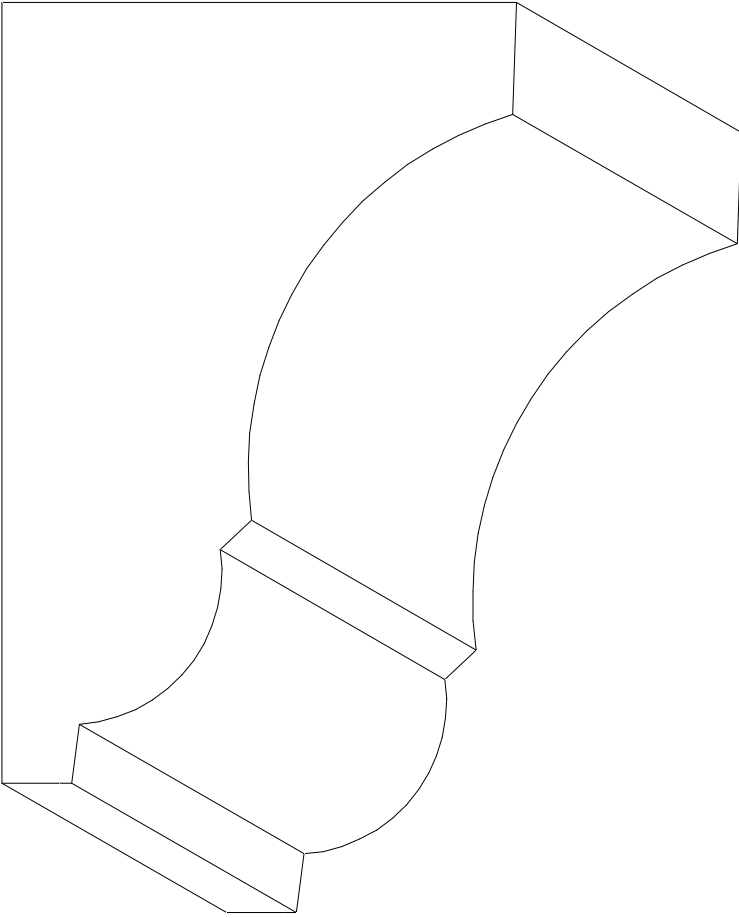


W-1491R
2 11/16"



W-1470R
5 15/16"
Rotation:
ELEVATION Radius

RADIUSED CROWN



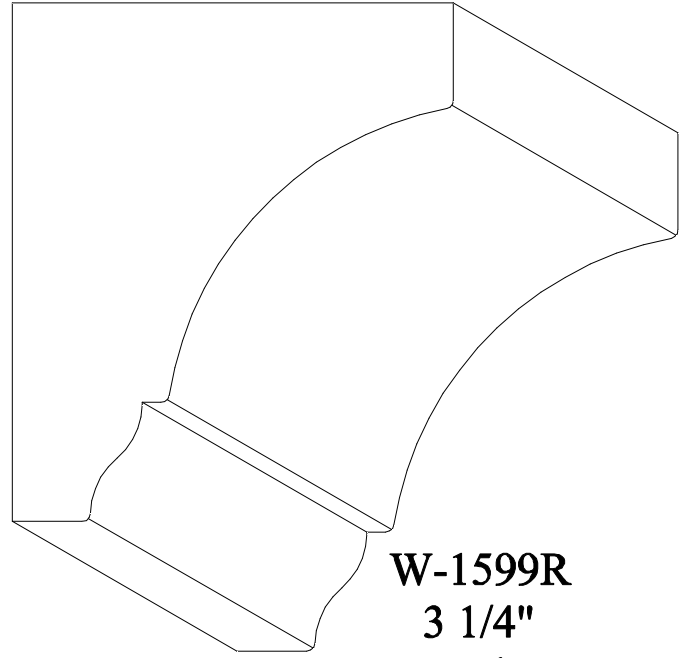
W-1576R

4 1/2"

Rotation:

ELEVATION Radius

PLAN Radius

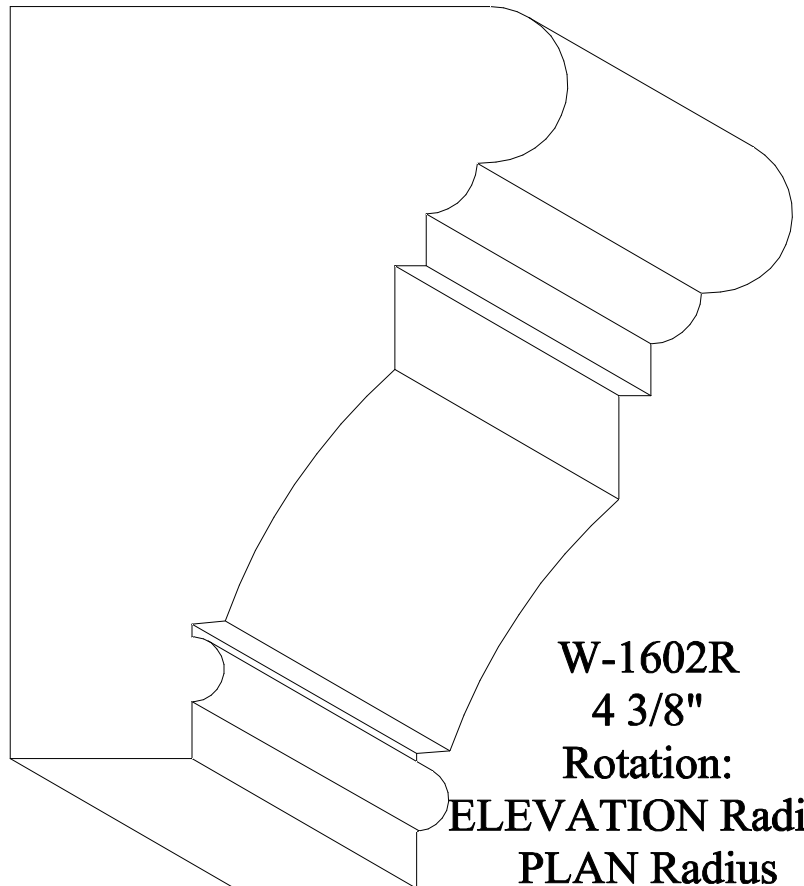


W-1599R

3 1/4"

Rotation:

ELEVATION Radius



W-1602R

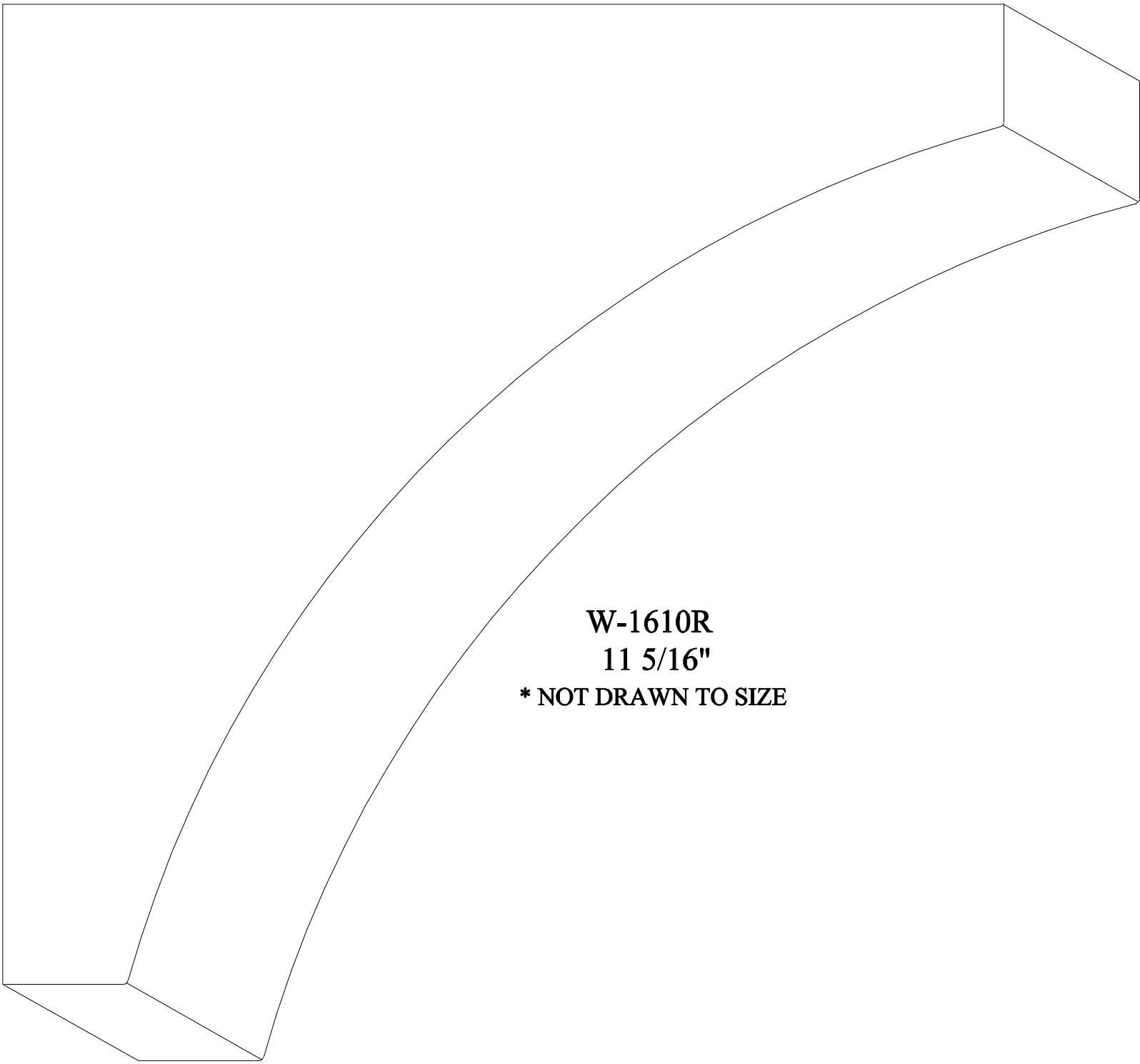
4 3/8"

Rotation:

ELEVATION Radius

PLAN Radius

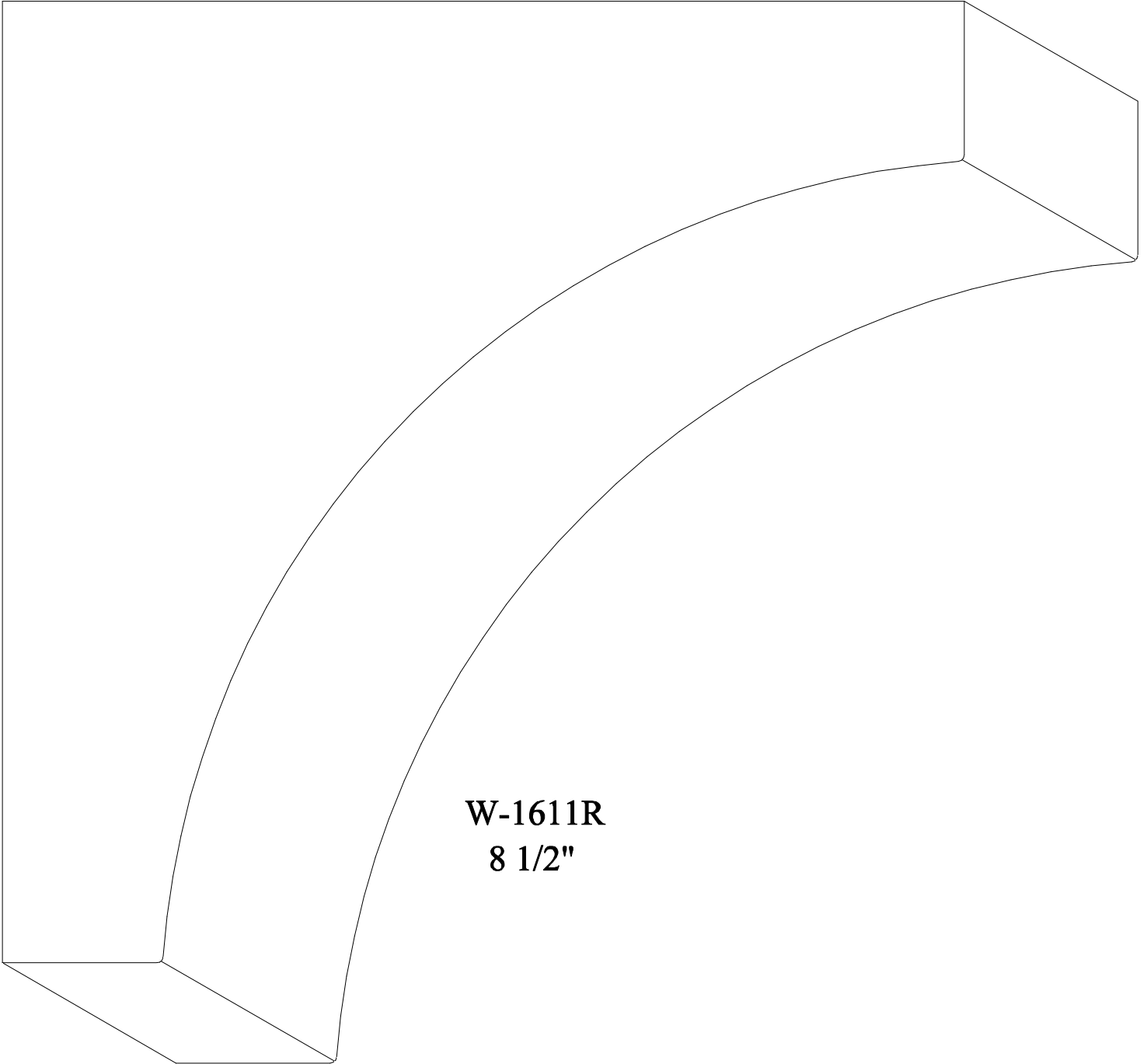
RADIUSED CROWN



W-1610R
11 5/16"

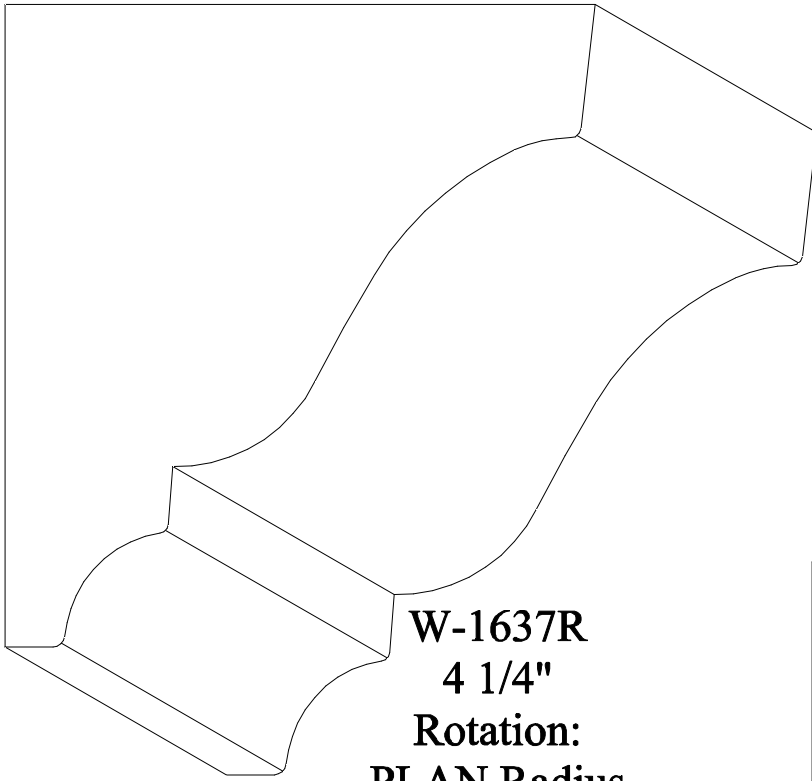
*** NOT DRAWN TO SIZE**

RADIUSED CROWN

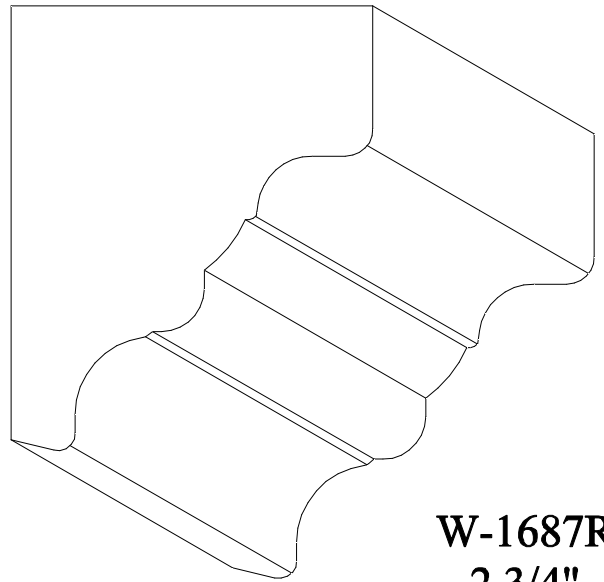


W-1611R
8 1/2"

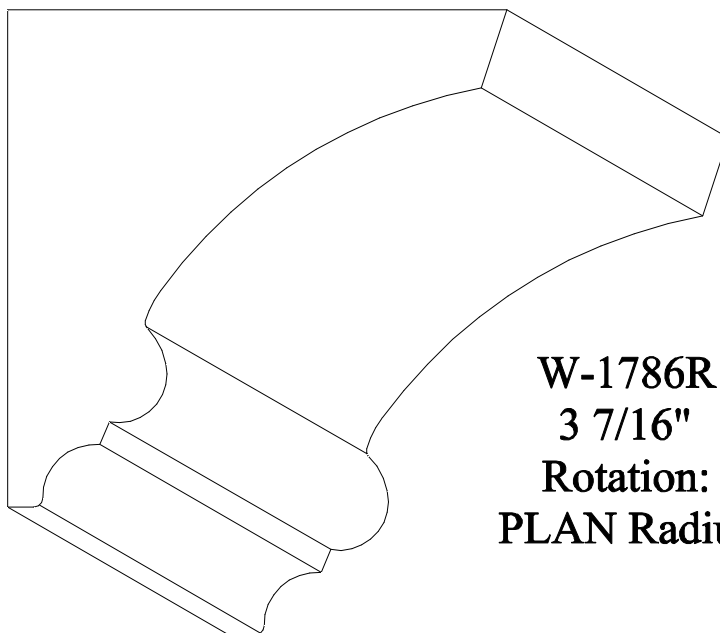
RADIUSED CROWN



W-1637R
4 1/4"
Rotation:
PLAN Radius

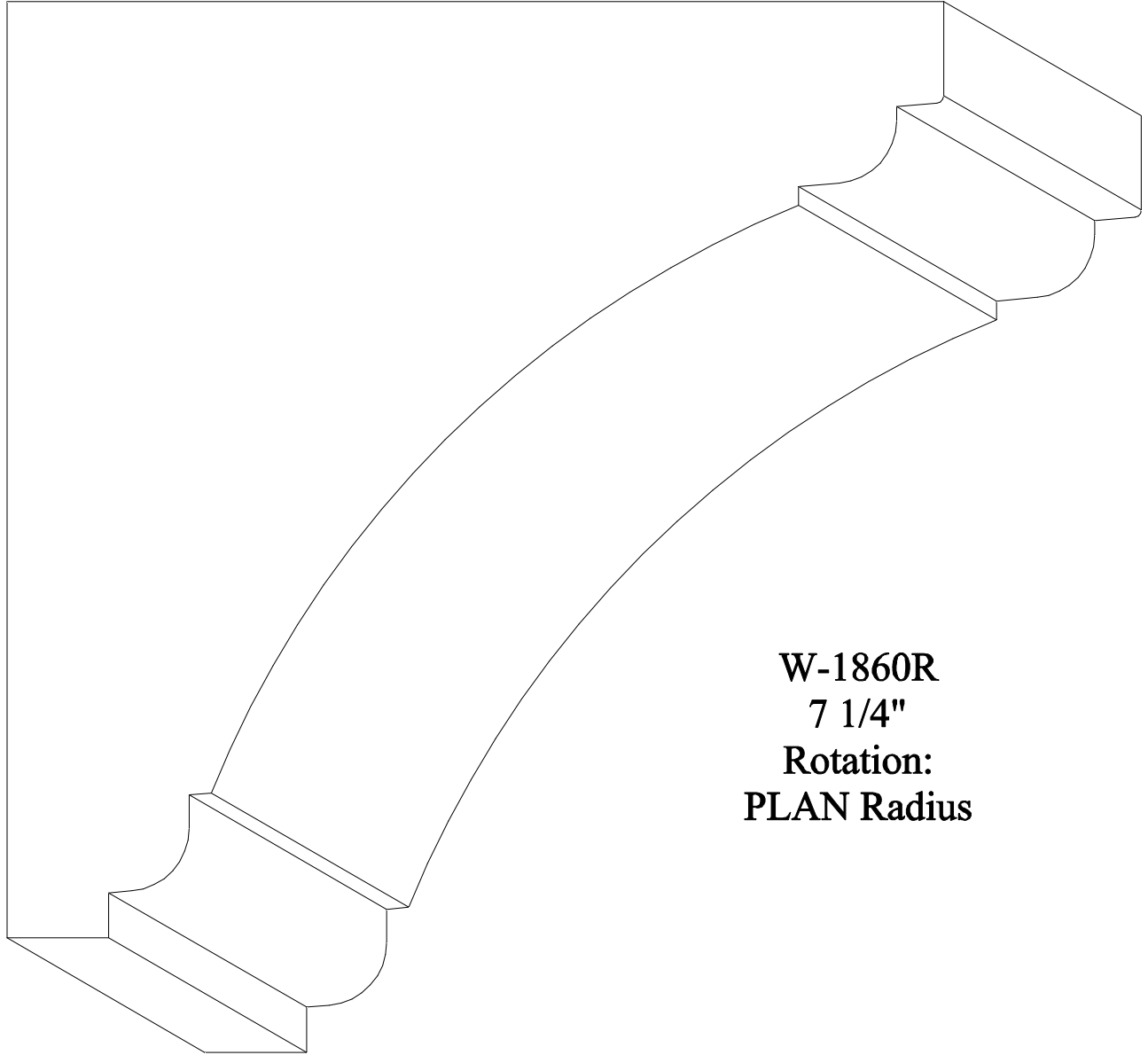


W-1687R
2 3/4"



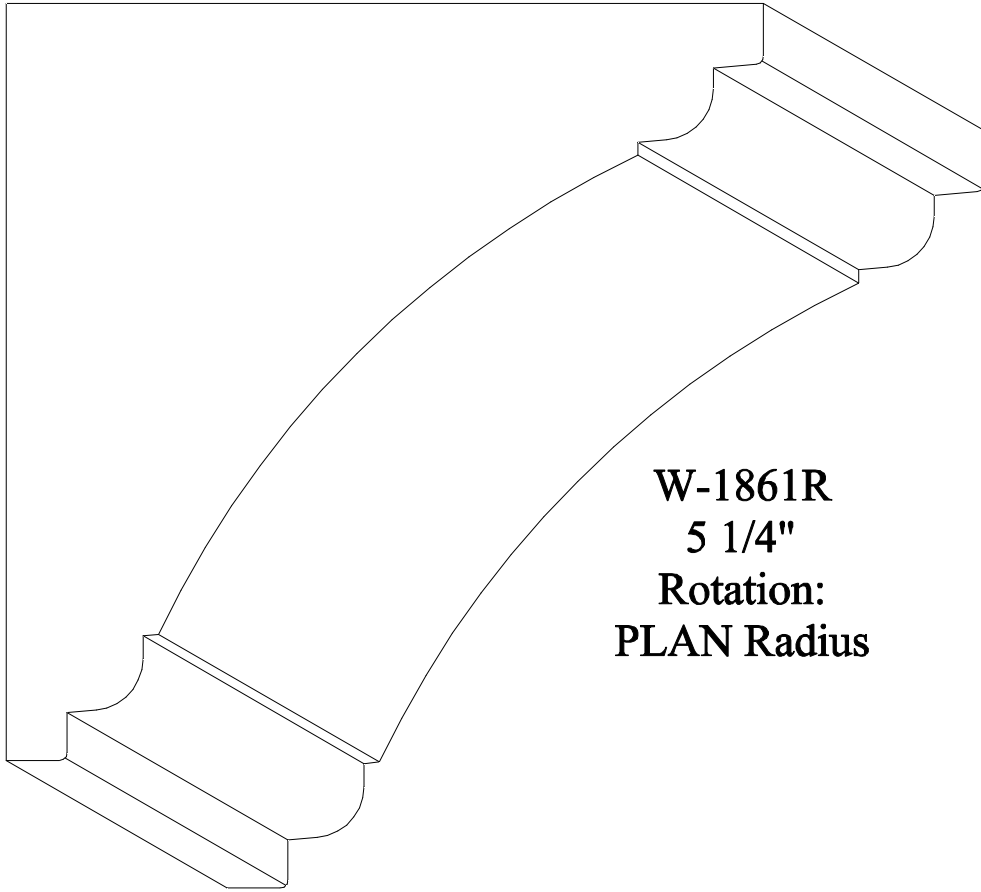
W-1786R
3 7/16"
Rotation:
PLAN Radius

RADIUSED CROWN

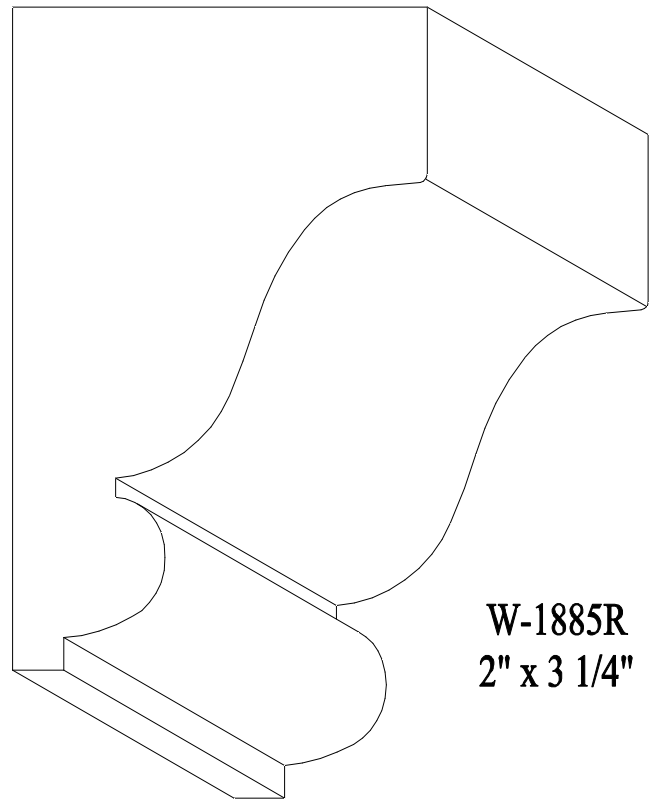


W-1860R
7 1/4"
Rotation:
PLAN Radius

RADIUSED CROWN

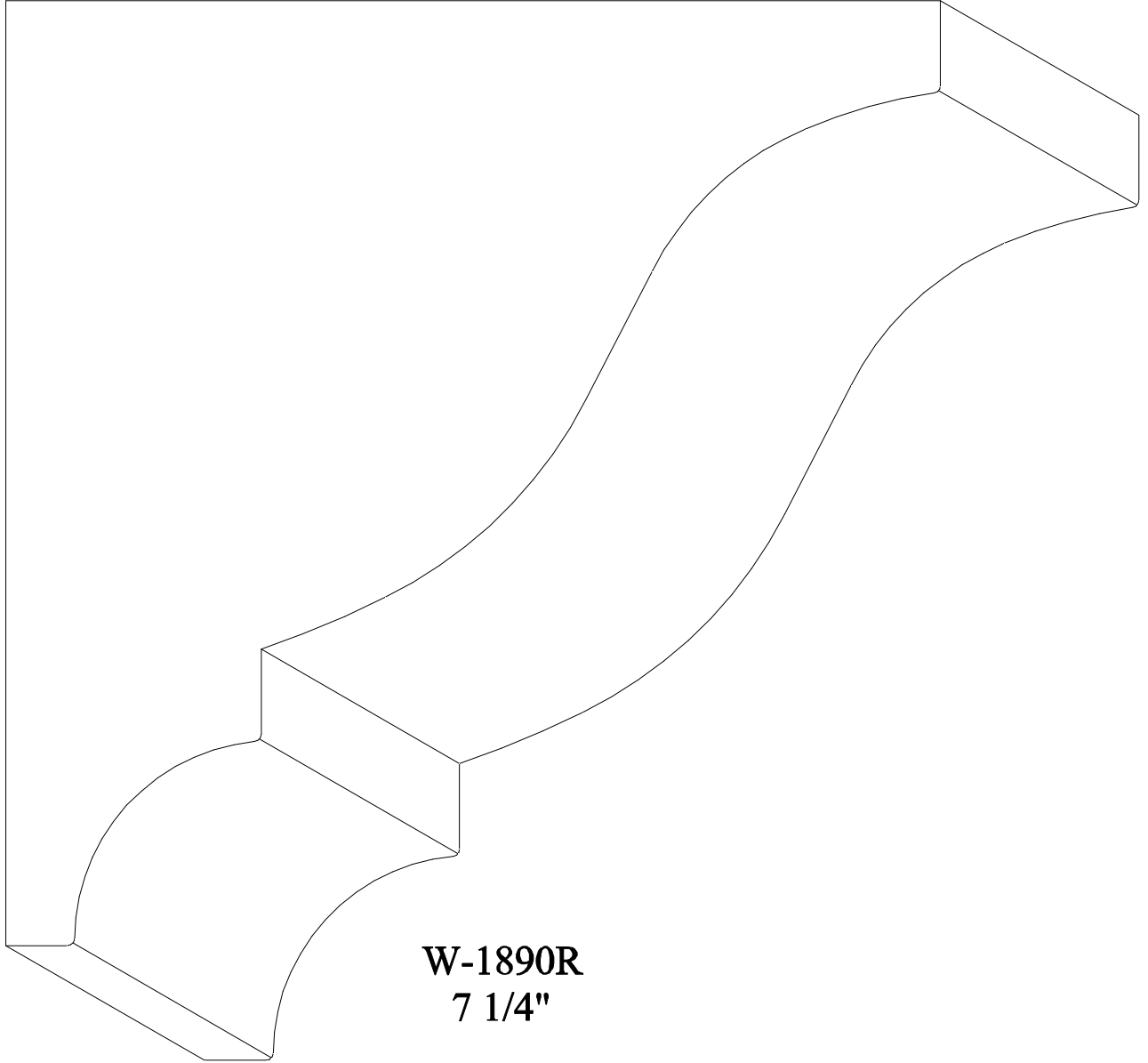


W-1861R
5 1/4"
Rotation:
PLAN Radius



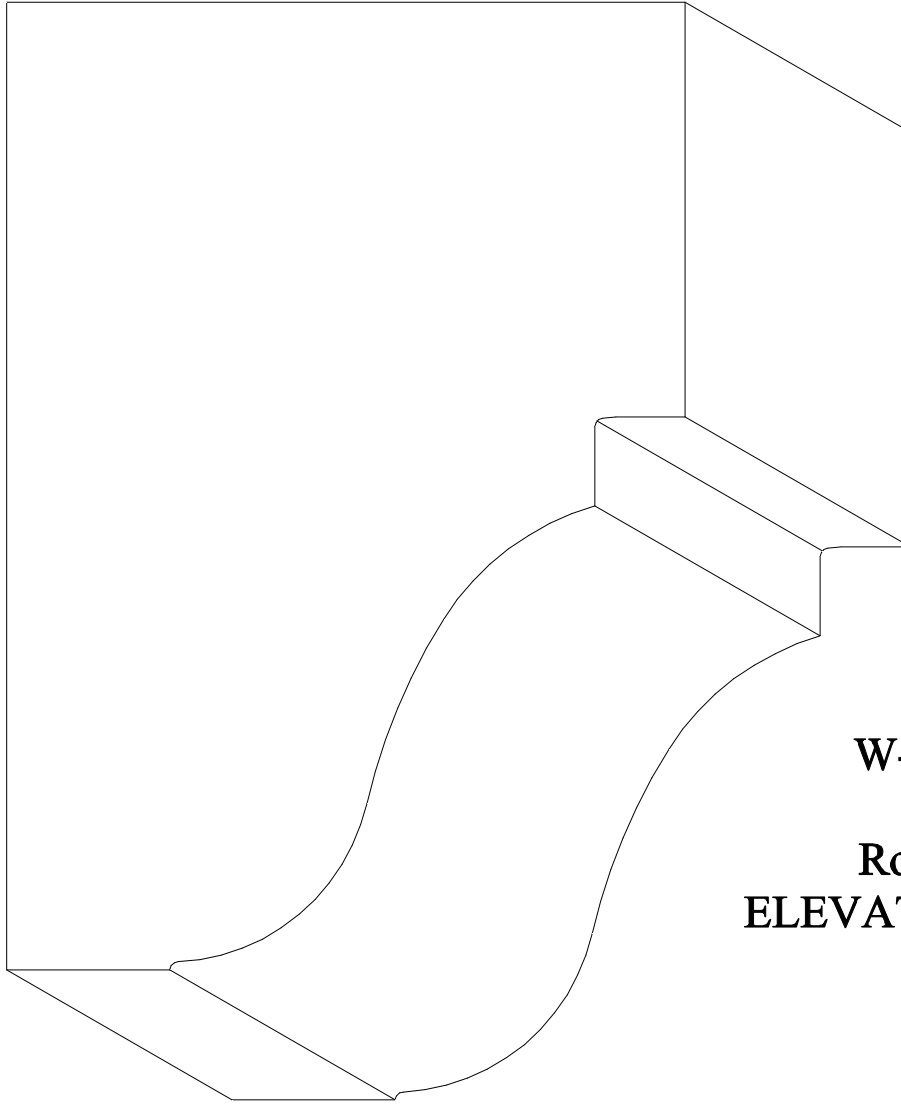
W-1885R
2" x 3 1/4"

RADIUSED CROWN



W-1890R
7 1/4"

RADIUSED CROWN



W-1909R
4"
Rotation:
ELEVATION Radius